

# INDUCTION COOKTOP 450mm

## - FULL AREA INDUCTION ZONE

IN512F-B, IN512F-LS, IN512F-CB

- Heavy-duty construction
- Two 270mm square full area induction zone
- 5kW heating per zone
- Automatic pan detection switches induction zone off when pan removed
- 3 models of base unit
- Stainless steel exterior
- Easy clean
- Easy service
- Fully modular



IN512F-LS



### Overall Construction

#### Cooktop

- Welded hob with 2.0mm stainless steel hob top
- Splashback and side panels 1.2mm stainless steel
- Front panels 0.9mm stainless steel
- 6mm thick ceramic glass cooking surface

#### Bench mount (supplied as – B model)

- Four 63mm dia. heavy-duty 1.2mm 304 stainless steel bench legs with adjustable feet
- Adjustable height 80mm – 105mm

#### Leg stand (supplied as – LS model)

- Fully modular for matched suite finish
- Framed top for connection to Cooktop
- 63mm dia. heavy-duty 1.2mm 304 stainless steel legs with two adjustable feet at front and two rollers at rear
- Fully modular framed stand shelf with 0.9mm 304 stainless steel finish
- Quick assembly design

#### Cabinet base (supplied as – CB model)

- Fully modular for match suite finish
- Double skin 0.9mm 304 stainless steel interior and exterior
- 63mm dia. heavy-duty 1.2mm 304 stainless steel legs with two adjustable feet at front and two rollers at rear

### Controls

- Large easy use control knob
- Infinitely variable power controls for each induction zone
- Heating ON indicator light (green) including pan detection indication
- Error mode indicator light (green)

### Cleaning and Servicing

- All models with easy clean stainless steel external finish
- Fully sealed cooking surface
- Removable full stainless steel air intake filters (induction cooling)
- Front service access

# INDUCTION COOKTOP 450mm

**- FULL AREA INDUCTION ZONE**

IN512F-B, IN512F-LS, IN512F-CB

## Specifications

### Cooktop

2 x 5.0kW full area induction zone  
270mm square induction zones

### Electrical requirements

IN512F  
10.0kW, 400-415V, 50/60Hz, 3P+E  
14A / phase

### Dimensions

Bench model  
Width 450mm  
Depth 812mm  
Height 355mm  
Incl. splashback 525mm

All models (excluding Bench model)

Width 450mm  
Depth 812mm  
Height 915mm  
Incl. splashback 1085mm

### Nett weight

88kg

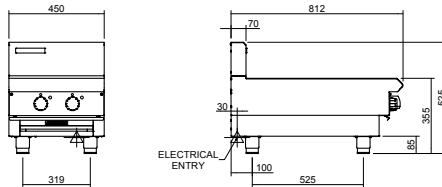
### Packing data

0.54m<sup>3</sup>, 130kg  
Width 495mm  
Depth 865mm  
Height 1255mm

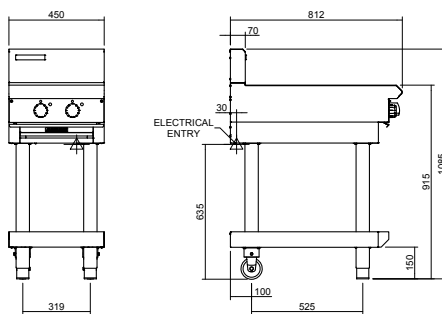
### Options

Castors  
Plinth mounting

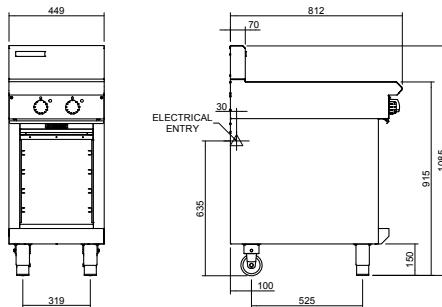
IN512-B



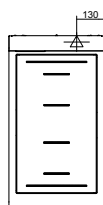
IN512-LS



IN512-CB



IN512F



[moffat.com.au](http://moffat.com.au)  
[moffat.co.nz](http://moffat.co.nz)

Australia  
[moffat.com.au](http://moffat.com.au)

### Moffat Pty Limited

Victoria/Tasmania  
740 Springvale Road  
Mulgrave, Victoria 3170  
Telephone +613-9518 3888  
Facsimile +613-9518 3833  
[vsales@moffat.com.au](mailto:vsales@moffat.com.au)

New South Wales  
Telephone +612-8833 4111  
[nswsales@moffat.com.au](mailto:nswsales@moffat.com.au)  
South Australia  
Telephone +613-9518 3888  
[vsales@moffat.com.au](mailto:vsales@moffat.com.au)

Queensland  
Telephone +617-3630 8600  
[qldsales@moffat.com.au](mailto:qldsales@moffat.com.au)  
Western Australia  
Telephone +618-9413 2400  
[wasales@moffat.com.au](mailto:wasales@moffat.com.au)

New Zealand  
[moffat.co.nz](http://moffat.co.nz)

### Moffat Limited

Rolleston  
45 Illinois Drive  
Izone Business Hub  
Rolleston 7675  
Telephone +64 3-983 6600  
Facsimile +64 3-983 6660  
[sales@moffat.co.nz](mailto:sales@moffat.co.nz)

Auckland  
Telephone +64 9-574 3150  
[sales@moffat.co.nz](mailto:sales@moffat.co.nz)



In line with policy to continually develop and improve its products, Moffat Limited reserves the right to change specifications and design without notice.

© Copyright Moffat Ltd  
AN.BSE.01.22

an Ali Group Company



The Spirit of Excellence