

# GAS CHARGRILL 450mm, 600mm, 900mm, 1200mm

G593-B, G593-LS, G594-B, G594-LS, G596-B, G596-LS, G598-B, G598-LS

- Heavy-duty construction
- Reversible heavy-duty top grates
- Interchangeable drop on griddle plates
- 33MJ/hr stainless steel burners per 300mm section on 600mm, 900mm and 1200mm models
- 48MJ/hr stainless steel burner on 450mm model
- Rear rollers
- Stainless steel exterior
- Easy clean
- Easy service
- Fully modular



G594-LS

## Overall Construction

### Chargrill

- 2.5mm thick 304 stainless steel side splash guards
- Welded 1.5mm 304 stainless steel bull nose
- Side panels 1.2mm 304 stainless steel
- Splashback 1.2mm 304 stainless steel
- Vitreous enamelled control panel
- Front grease channel
- Welded 1.2mm 304 stainless steel grease trays
- 1.5mm aluminised steel burner box
- Insulated sides

### Bench mount (supplied as -B model)

- Four 63mm dia. heavy-duty 1.2mm 304 stainless steel bench legs with adjustable feet
- Adjustable height 80mm-105mm

### Leg stand (supplied as -LS model)

- Fully modular for matched suite finish
- Framed top for connection to Chargrill
- 63mm dia. heavy-duty 1.2mm 304 stainless steel legs with two adjustable feet at front and two rollers at rear
- Fully modular framed stand shelf with 0.9mm 304 stainless steel finish
- Quick assembly design

### Grates and radiants and baffles

- 150mm wide x 550mm top grate sections
- Top grates reversible for level or inclined use
- Inclined position incorporates flare reducing grate fin design with grooves to run grease into front collection channel
- Heavy weight castings for high demand performance
- Heavy-duty high efficiency cast iron burner radiants improve heat retention and protect burners
- Baffles over grease trays to reduce grease collection flare ups

## Griddle plates

- Optional extra 300mm wide and 450mm wide x 550mm deep drop on cast iron griddle sections
- Machined smooth surface finish
- Interchangeable in any position with 2 or 3 sections of top grate
- Multiple griddle sections can be mixed in any positions

## Burners

- Full 304 stainless steel burners
- 1 x 33MJ/hr burner per 300mm section (600mm, 900mm, 1200mm models)
- 1 x 48MJ/hr burner on 450mm model
- Removable for cleaning
- Full pilot and flame failure protection per burner

## Controls

- Individual Hi-Lo gas control to each burner with flame failure and pilot
- Large easy use control knob - heat resistant reinforced
- Easy view control settings on knob
- Piezo ignition to pilot burner

## Cleaning and Servicing

- Easy clean stainless steel external finish
- Lift out radiants, burners and grease tray baffles
- All burner box interior parts lift out for full cleaning access
- Deep stainless steel grease collection drawers
- Access to all parts from front of unit

# GAS CHARGRILL 450mm, 600mm, 900mm, 1200mm

G593-B, G593-LS, G594-B, G594-LS, G596-B, G596-LS, G598-B, G598-LS

**Specifications**

**Burner**

33MJ/hr 304 stainless steel U-burner per 300mm section  
45MJ/hr 304 stainless steel 3 bar burner on 450mm model

**Gas power**

G593 48MJ/hr, 14kW  
G594 66MJ/hr, 18.6kW  
G596 100MJ/hr, 29.3kW  
G598 133MJ/hr, 39.1kW

**Cooking surface area**

G593 442mm x 500mm, 2210cm<sup>2</sup>  
G594 592mm x 500mm, 2960cm<sup>2</sup>  
G596 892mm x 500mm, 4460cm<sup>2</sup>  
G598 1192mm x 500mm, 5960cm<sup>2</sup>

**Gas connection**

R 3/4 (BSP) male  
All units supplied with Natural and LP gas regulator

**Dimensions**

**Width**  
450mm G593-B  
600mm G594-B  
900mm G596-B  
1200mm G598-B  
**Depth** 812mm  
**Height** 415mm  
Incl. splashback 585mm  
**Width**  
450mm G593-LS  
600mm G594-LS  
900mm G596-LS  
1200mm G598-LS  
**Depth** 812mm  
**Height** 915mm  
Incl. splashback 1085mm

**Nett weight**

450mm G593 99kg  
600mm G594 128kg  
900mm G596 178kg  
1200mm G598 227kg

**Packing data**

**450mm**  
0.29m<sup>3</sup>, 133kg  
**Width** 870mm  
**Depth** 495mm  
**Height** 855mm  
**600mm**  
0.48m<sup>3</sup>, 171kg  
**Width** 645mm  
**Depth** 870mm  
**Height** 855mm  
**900mm**  
0.70m<sup>3</sup>, 232kg  
**Width** 945mm  
**Depth** 870mm  
**Height** 855mm

**1200mm**

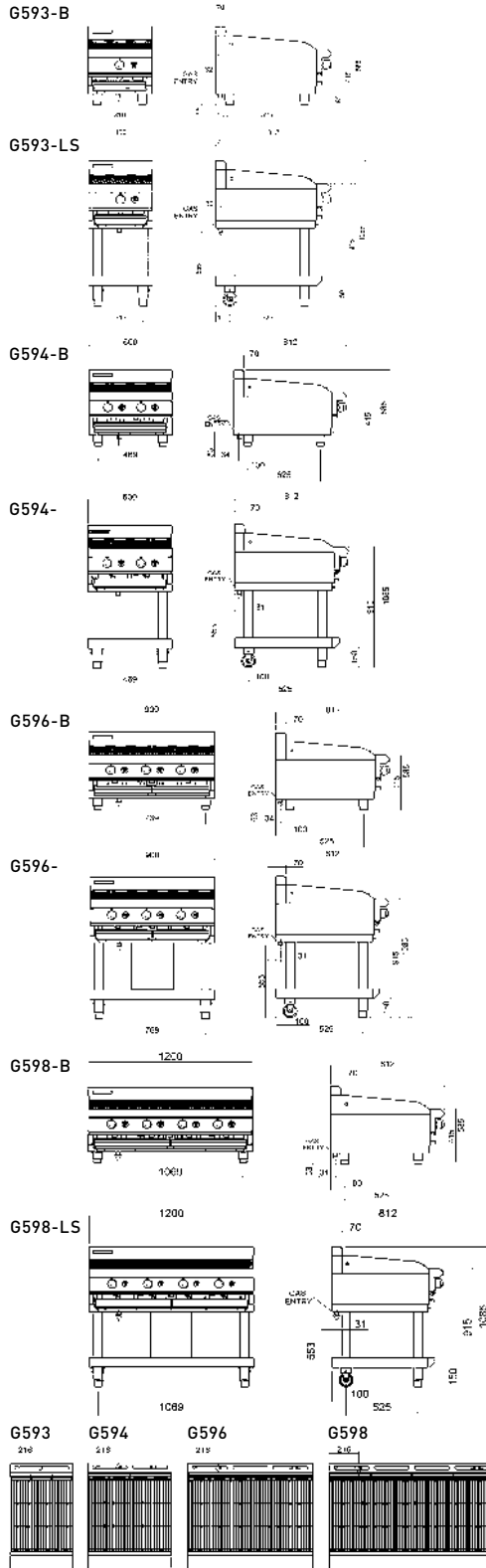
0.93m<sup>3</sup>, 295kg  
**Width** 1245mm  
**Depth** 870mm  
**Height** 855mm

**Gas types**

Available in Natural gas and LP gas, please specify when ordering  
Units supplied complete with gas type conversion kits  
Other gas types on request

**Options**

Adjustable feet at rear  
Griddle plates 300mm drop on  
Griddle plates 450mm drop on  
Joining caps  
Castors



[moffat.com.au](http://moffat.com.au)  
[moffat.co.nz](http://moffat.co.nz)

**Australia**  
[moffat.com.au](http://moffat.com.au)

**Moffat Pty Limited**

Victoria/Tasmania  
740 Springvale Road  
Mulgrave, Victoria 3170  
Telephone +613-9518 3888  
Facsimile +613-9518 3833  
[vsales@moffat.com.au](mailto:vsales@moffat.com.au)

New South Wales  
Telephone +612-8833 4111  
[nswsales@moffat.com.au](mailto:nswsales@moffat.com.au)

South Australia  
Telephone +613-9518 3888  
[vsales@moffat.com.au](mailto:vsales@moffat.com.au)

Queensland  
Telephone +617-3630 8600  
[qldsales@moffat.com.au](mailto:qldsales@moffat.com.au)

Western Australia  
Telephone +618-9413 2400  
[wasales@moffat.com.au](mailto:wasales@moffat.com.au)

**New Zealand**

[moffat.co.nz](http://moffat.co.nz)

**Moffat Limited**

Rolleston  
45 Illinois Drive  
Izone Business Hub  
Rolleston 7675  
Telephone +64 3-983 6600  
Facsimile +64 3-983 6660  
[sales@moffat.co.nz](mailto:sales@moffat.co.nz)

Auckland  
Telephone +64 9-574 3150  
[sales@moffat.co.nz](mailto:sales@moffat.co.nz)



Cert. No. 6878

In line with policy to continually develop and improve its products, Moffat Limited reserves the right to change specifications and design without notice.

© Copyright Moffat Ltd  
AN.BSE.01.19/1620