

GAS CHARGRILL 450mm, 600mm, 900mm, 1200mm

G593-B, G593-LS, G594-B, G594-LS, G596-B, G596-LS, G598-B, G598-LS

- Heavy-duty construction
- Reversible heavy-duty top grates
- Interchangeable drop on griddle plates
- 33MJ/hr stainless steel burners per 300mm section on 600mm, 900mm and 1200mm models
- 48MJ/hr stainless steel burner on 450mm model
- Rear rollers
- Stainless steel exterior
- Easy clean
- Easy service
- Fully modular



G594-LS

Overall Construction

Chargrill

- 2.5mm thick 304 stainless steel side splash guards
- Welded 1.5mm 304 stainless steel bull nose
- Side panels 1.2mm 304 stainless steel
- Splashback 1.2mm 304 stainless steel
- Vitreous enamelled control panel
- Front grease channel
- Welded 1.2mm 304 stainless steel grease trays
- 1.5mm aluminised steel burner box
- Insulated sides

Bench mount (supplied as -B model)

- Four 63mm dia. heavy-duty 1.2mm 304 stainless steel bench legs with adjustable feet
- Adjustable height 80mm-105mm

Leg stand (supplied as -LS model)

- Fully modular for matched suite finish
- Framed top for connection to Chargrill
- 63mm dia. heavy-duty 1.2mm 304 stainless steel legs with two adjustable feet at front and two rollers at rear
- Fully modular framed stand shelf with 0.9mm 304 stainless steel finish
- Quick assembly design

Grates and radiants and baffles

- 150mm wide x 550mm top grate sections
- Top grates reversible for level or inclined use
- Inclined position incorporates flare reducing grate fin design with grooves to run grease into front collection channel
- Heavy weight castings for high demand performance
- Heavy-duty high efficiency cast iron burner radiants improve heat retention and protect burners
- Baffles over grease trays to reduce grease collection flare ups

Griddle plates

- Optional extra 300mm wide and 450mm wide x 550mm deep drop on cast iron griddle sections
- Machined smooth surface finish
- Interchangeable in any position with 2 or 3 sections of top grate
- Multiple griddle sections can be mixed in any positions

Burners

- Full 304 stainless steel burners
- 1 x 33MJ/hr burner per 300mm section (600mm, 900mm, 1200mm models)
- 1 x 48MJ/hr burner on 450mm model
- Removable for cleaning
- Full pilot and flame failure protection per burner

Controls

- Individual Hi-Lo gas control to each burner with flame failure and pilot
- Large easy use control knob - heat resistant reinforced
- Easy view control settings on knob
- Piezo ignition to pilot burner

Cleaning and Servicing

- Easy clean stainless steel external finish
- Lift out radiants, burners and grease tray baffles
- All burner box interior parts lift out for full cleaning access
- Deep stainless steel grease collection drawers
- Access to all parts from front of unit

GAS CHARGRILL 450mm, 600mm, 900mm, 1200mm

G593-B, G593-LS, G594-B, G594-LS, G596-B, G596-LS, G598-B, G598-LS

Specifications

Burner

33MJ/hr 304 stainless steel U-burner per 300mm section
45MJ/hr 304 stainless steel 3 bar burner on 450mm model

Gas power

G593 48MJ/hr, 14kW
G594 66MJ/hr, 18.6kW
G596 100MJ/hr, 29.3kW
G598 133MJ/hr, 39.1kW

Cooking surface area

G593 442mm x 500mm, 2210cm²
G594 592mm x 500mm, 2960cm²
G596 892mm x 500mm, 4460cm²
G598 1192mm x 500mm, 5960cm²

Gas connection

R 3/4 (BSP) male
All units supplied with Natural and LP gas regulator

Dimensions

Width
450mm G593-B
600mm G594-B
900mm G596-B
1200mm G598-B
Depth 812mm
Height 415mm
Incl. splashback 585mm
Width
450mm G593-LS
600mm G594-LS
900mm G596-LS
1200mm G598-LS
Depth 812mm
Height 915mm
Incl. splashback 1085mm

Nett weight

450mm G593 99kg
600mm G594 128kg
900mm G596 178kg
1200mm G598 227kg

Packing data

450mm
0.29m³, 133kg
Width 870mm
Depth 495mm
Height 855mm

600mm

0.48m³, 171kg
Width 645mm
Depth 870mm
Height 855mm

900mm

0.70m³, 232kg
Width 945mm
Depth 870mm
Height 855mm

1200mm

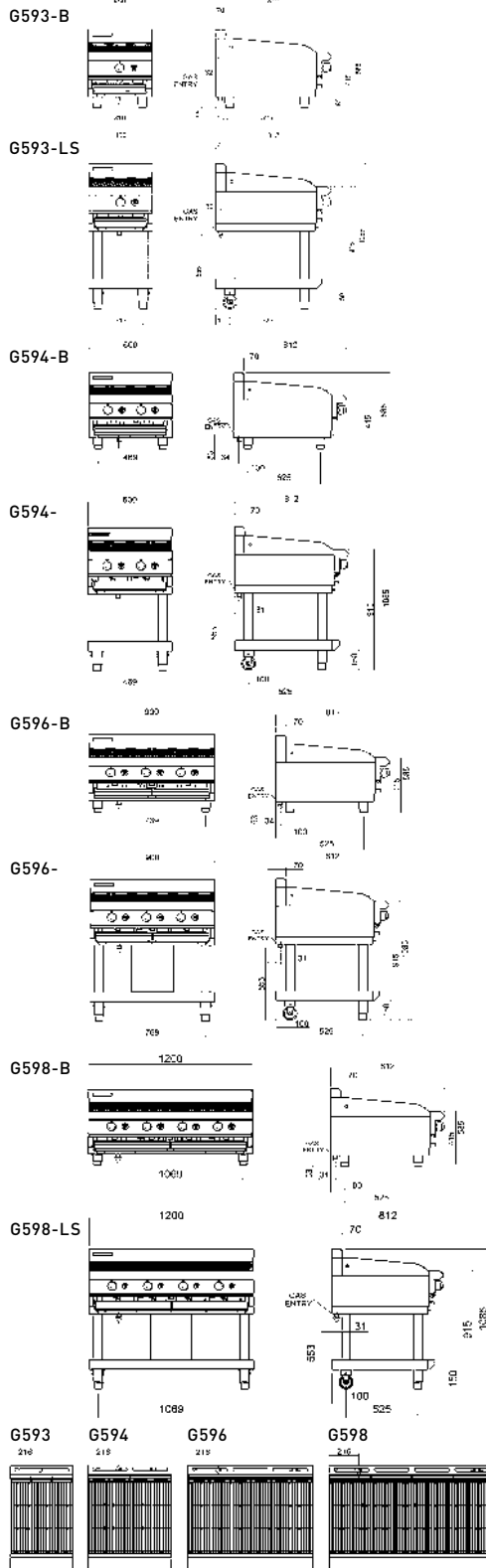
0.93m³, 295kg
Width 1245mm
Depth 870mm
Height 855mm

Gas types

Available in Natural gas and LP gas, please specify when ordering
Units supplied complete with gas type conversion kits
Other gas types on request

Options

Adjustable feet at rear
Griddle plates 300mm drop on
Griddle plates 450mm drop on
Joining caps
Castors



moffat.com.au
moffat.co.nz

Australia
moffat.com.au

Moffat Pty Limited

Victoria/Tasmania
740 Springvale Road
Mulgrave, Victoria 3170
Telephone +613-9518 3888
Facsimile +613-9518 3833
vsales@moffat.com.au

New South Wales
Telephone +612-8833 4111
nswsales@moffat.com.au

South Australia
Telephone +613-9518 3888
vsales@moffat.com.au

Queensland
Telephone +617-3630 8600
qldsales@moffat.com.au

Western Australia
Telephone +618-9413 2400
wasales@moffat.com.au

New Zealand

moffat.co.nz

Moffat Limited

Rolleston
45 Illinois Drive
Izone Business Hub
Rolleston 7675
Telephone +64 3-983 6600
Facsimile +64 3-983 6660
sales@moffat.co.nz

Auckland
Telephone +64 9-574 3150
sales@moffat.co.nz



Cert. No. 6878

In line with policy to continually develop and improve its products, Moffat Limited reserves the right to change specifications and design without notice.

© Copyright Moffat Ltd
AN.BSE.01.19/1620