

Technical data sheet for

## GAS CHARGRILL 300mm, 600mm, 900mm, 1200mm

G592-B, G594-LS, G596-LS, G598-LS

- Heavy-duty construction
- Reversible heavy-duty top grates
- Interchangeable drop on griddle plates
- 9.8kW stainless steel burners per 300mm section
- Rear rollers
- Stainless steel exterior
- Easy clean
- Easy service
- Fully modular



G594-LS

### Overall Construction

#### Chargrill

- 2.5mm thick stainless steel side splash guards
- Welded 1.5mm stainless steel bull nose
- Side panels 1.2mm stainless steel
- Splashback 1.2mm stainless steel
- Enamelled control panel
- Front grease channel
- Welded 1.2mm stainless steel grease trays
- 1.5mm aluminised steel burner box
- Insulated sides

#### Leg stand

- Fully modular for matched suite finish
- Framed top for connection to Chargrill
- 63mm dia. heavy-duty 1.2mm stainless steel legs with two adjustable feet at front and two rollers at rear
- Fully modular framed stand shelf with 0.9mm stainless steel finish
- Quick assembly design

#### Grates and radiants and baffles

- 150mm wide x 550mm top grate sections
- Top grates reversible for level or inclined use
- Inclined position incorporates flare reducing grate fin design with grooves to run grease into front collection channel
- Heavy weight castings for high demand performance
- Heavy-duty high efficiency cast iron burner radiants improve heat retention and protect burners
- Baffles over grease trays to reduce grease collection flare ups

### Griddle plates

- Optional extra 300mm wide and 450mm wide x 550mm deep drop on cast iron griddle sections
- Machined smooth surface finish
- Interchangeable in any position with 2 or 3 sections of top grate
- Multiple griddle sections can be mixed in any positions

### Burners

- Full stainless steel burners
- 1 x 9.8kW burner per 300mm section
- Removable for cleaning
- Full pilot and flame failure protection per burner

### Controls

- Individual Hi-Lo gas control to each burner with flame failure and pilot
- Large easy use control knob - heat resistant reinforced
- Easy view control settings on knob
- Piezo ignition to pilot burner

### Cleaning and Servicing

- Easy clean stainless steel external finish
- Lift out radiants, burners and grease tray baffles
- All burner box interior parts lift out for full cleaning access
- Deep stainless steel grease collection drawers
- Access to all parts from front of unit

# Technical data sheet for GAS CHARGRILL 300mm, 600mm, 900mm, 1200mm

## Specifications

**Burner**  
9.8kW stainless steel U-burner per 300mm section

### Gas power (gross)

G592-B 9.8kW, 33,400 Btu/hr  
G594-LS 18.6kW, 66,800 Btu/hr  
G596-LS 29.3kW, 100,000 Btu/hr  
G598-LS 39.1kW, 133,500 Btu/hr

### Cooking surface area

G592-B 292mm x 500mm, 1460cm<sup>2</sup>  
G594-LS 592mm x 500mm, 2960cm<sup>2</sup>  
G596-LS 892mm x 500mm, 4460cm<sup>2</sup>  
G598-LS 1192mm x 500mm, 5960cm<sup>2</sup>

### Gas connection

R 3/4 (BSP) male  
All units supplied with Natural and LP gas regulator

## Dimensions

**300mm G592-B**  
Width 300mm  
Depth 812mm  
Height 315mm  
Incl. splashback 485mm

**600mm G594-LS**  
**900mm G596-LS**  
**1200mm G598-LS**  
Depth 812mm  
Height 915mm  
Incl. splashback 1085mm

### Nett weight

300mm G592 63kg  
600mm G594 128kg  
900mm G596 178kg  
1200mm G598 227kg

## Packing data

**300mm**  
0.20m<sup>3</sup>, 86kg  
Width 865mm  
Depth 345mm  
Height 665mm

**600mm**  
0.48m<sup>3</sup>, 171kg  
Width 645mm  
Depth 870mm  
Height 855mm

**900mm**  
0.70m<sup>3</sup>, 232kg  
Width 945mm  
Depth 870mm  
Height 855mm

**1200mm**  
0.93m<sup>3</sup>, 295kg  
Width 1245mm  
Depth 870mm  
Height 855mm

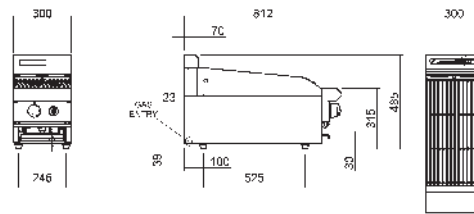
## Gas types

Available in Natural gas and LP gas, please specify when ordering  
Units supplied complete with gas type conversion kits

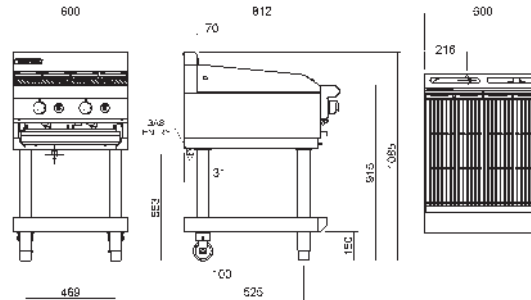
## Options

Adjustable feet at rear  
Griddle plates 300mm drop on  
Griddle plates 450mm drop on  
Joining caps  
Castors

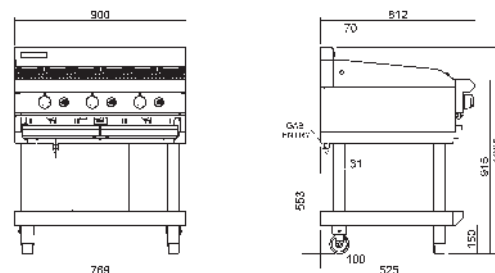
G592-B



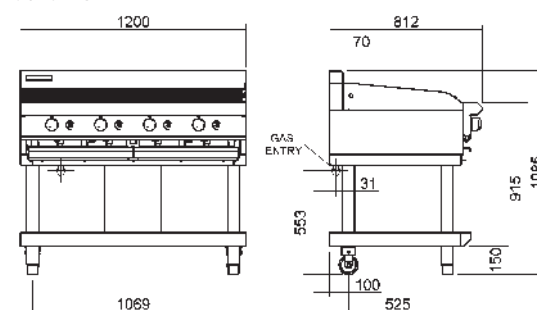
G594-LS



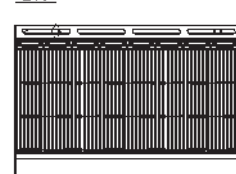
G596-LS



G598-LS



216



**BLUE SEAL**

www.blue-seal.co.uk  
www.bluesealevolution.com

## United Kingdom

### Blue Seal Limited

Unit 67  
Gravelly Business Park  
Gravelly  
Birmingham B24 8TQ  
England  
Telephone 0121-327 5575  
Facsimile 0121-327 9711  
Email sales@blue-seal.co.uk  
www.blue-seal.co.uk

## Australia

### Moffat Pty Limited

740 Springvale Rd  
Mulgrave  
Victoria 3170  
Australia  
Telephone 03-9518 3888  
Facsimile 03-9518 3833  
Email vsales@moffat.com.au  
www.moffat.com.au

## New Zealand

### Moffat Limited

16 Osborne St  
PO Box 10-001  
Christchurch 8011  
New Zealand  
Telephone 03-389 1007  
Facsimile 03-389 1276  
Email sales@moffat.co.nz  
www.moffat.co.nz



ISO9001  
Quality  
Management  
Standard

Designed and manufactured by

**MOFFAT**

ISO9001

All Blue Seal products are designed and manufactured by Moffat using the internationally recognised ISO9001 quality management system, covering design, manufacture and final inspection, ensuring consistent high quality at all times.



In line with policy to continually develop and improve its products, Moffat Limited reserves the right to change specifications and design without notice.

Printed in China  
© Copyright Moffat Ltd  
Moffat/5992/BH/2.5M/09.07

