

Technical data sheet for

GAS CHARGRILL 300mm, 600mm, 900mm, 1200mm

G592-B, G594-LS, G596-LS, G598-LS

- Heavy-duty construction
- Reversible heavy-duty top grates
- Interchangeable drop on griddle plates
- 9.8kW stainless steel burners per 300mm section
- Rear rollers
- Stainless steel exterior
- Easy clean
- Easy service
- Fully modular



G594-LS

Overall Construction

Chargrill

- 2.5mm thick stainless steel side splash guards
- Welded 1.5mm stainless steel bull nose
- Side panels 1.2mm stainless steel
- Splashback 1.2mm stainless steel
- Enamelled control panel
- Front grease channel
- Welded 1.2mm stainless steel grease trays
- 1.5mm aluminised steel burner box
- Insulated sides

Leg stand

- Fully modular for matched suite finish
- Framed top for connection to Chargrill
- 63mm dia. heavy-duty 1.2mm stainless steel legs with two adjustable feet at front and two rollers at rear
- Fully modular framed stand shelf with 0.9mm stainless steel finish
- Quick assembly design

Grates and radiants and baffles

- 150mm wide x 550mm top grate sections
- Top grates reversible for level or inclined use
- Inclined position incorporates flare reducing grate fin design with grooves to run grease into front collection channel
- Heavy weight castings for high demand performance
- Heavy-duty high efficiency cast iron burner radiants improve heat retention and protect burners
- Baffles over grease trays to reduce grease collection flare ups

Griddle plates

- Optional extra 300mm wide and 450mm wide x 550mm deep drop on cast iron griddle sections
- Machined smooth surface finish
- Interchangeable in any position with 2 or 3 sections of top grate
- Multiple griddle sections can be mixed in any positions

Burners

- Full stainless steel burners
- 1 x 9.8kW burner per 300mm section
- Removable for cleaning
- Full pilot and flame failure protection per burner

Controls

- Individual Hi-Lo gas control to each burner with flame failure and pilot
- Large easy use control knob - heat resistant reinforced
- Easy view control settings on knob
- Piezo ignition to pilot burner

Cleaning and Servicing

- Easy clean stainless steel external finish
- Lift out radiants, burners and grease tray baffles
- All burner box interior parts lift out for full cleaning access
- Deep stainless steel grease collection drawers
- Access to all parts from front of unit

Technical data sheet for GAS CHARGRILL 300mm, 600mm, 900mm, 1200mm

Specifications

Burner
9.8kW stainless steel U-burner per 300mm section

Gas power (gross)

G592-B 9.8kW, 33,400 Btu/hr
G594-LS 18.6kW, 66,800 Btu/hr
G596-LS 29.3kW, 100,000 Btu/hr
G598-LS 39.1kW, 133,500 Btu/hr

Cooking surface area

G592-B 292mm x 500mm, 1460cm²
G594-LS 592mm x 500mm, 2960cm²
G596-LS 892mm x 500mm, 4460cm²
G598-LS 1192mm x 500mm, 5960cm²

Gas connection

R 3/4 (BSP) male
All units supplied with Natural and LP gas regulator

Dimensions

300mm G592-B
Width 300mm
Depth 812mm
Height 315mm
Incl. splashback 485mm

600mm G594-LS
900mm G596-LS
1200mm G598-LS
Depth 812mm
Height 915mm
Incl. splashback 1085mm

Nett weight

300mm G592 63kg
600mm G594 128kg
900mm G596 178kg
1200mm G598 227kg

Packing data

300mm
0.20m³, 86kg
Width 865mm
Depth 345mm
Height 665mm

600mm
0.48m³, 171kg
Width 645mm
Depth 870mm
Height 855mm

900mm
0.70m³, 232kg
Width 945mm
Depth 870mm
Height 855mm

1200mm
0.93m³, 295kg
Width 1245mm
Depth 870mm
Height 855mm

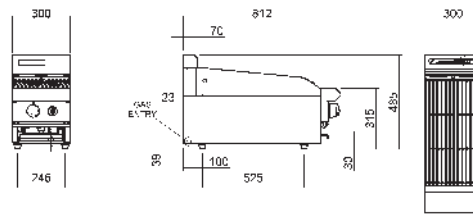
Gas types

Available in Natural gas and LP gas, please specify when ordering
Units supplied complete with gas type conversion kits

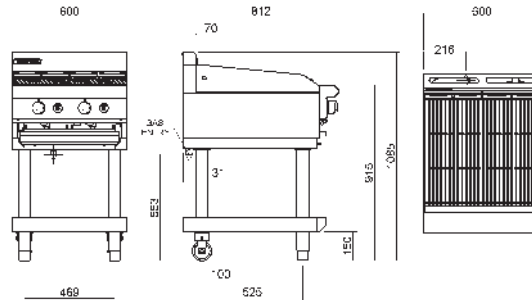
Options

Adjustable feet at rear
Griddle plates 300mm drop on
Griddle plates 450mm drop on
Joining caps
Castors

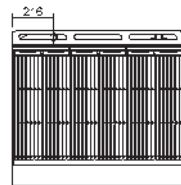
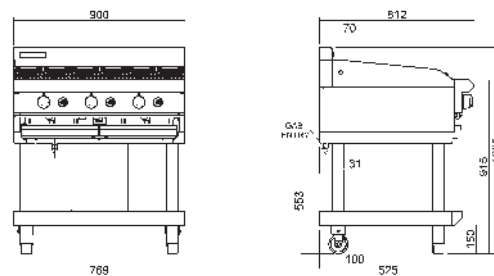
G592-B



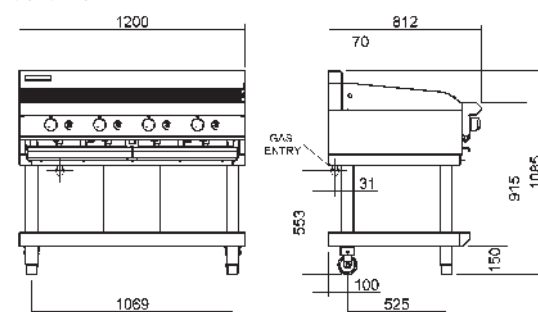
G594-LS



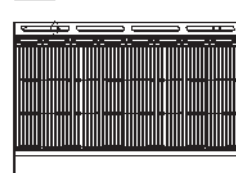
G596-LS



G598-LS



216



BLUE SEAL

www.blue-seal.co.uk
www.bluesealevolution.com

United Kingdom

Blue Seal Limited

Unit 67
Gravelly Business Park
Gravelly
Birmingham B24 8TQ
England
Telephone 0121-327 5575
Facsimile 0121-327 9711
Email sales@blue-seal.co.uk
www.blue-seal.co.uk

Australia

Moffat Pty Limited

740 Springvale Rd
Mulgrave
Victoria 3170
Australia
Telephone 03-9518 3888
Facsimile 03-9518 3833
Email vsales@moffat.com.au
www.moffat.com.au

New Zealand

Moffat Limited

16 Osborne St
PO Box 10-001
Christchurch 8011
New Zealand
Telephone 03-389 1007
Facsimile 03-389 1276
Email sales@moffat.co.nz
www.moffat.co.nz



ISO9001
Quality
Management
Standard

Designed and manufactured by

MOFFAT

ISO9001

All Blue Seal products are designed and manufactured by Moffat using the internationally recognised ISO9001 quality management system, covering design, manufacture and final inspection, ensuring consistent high quality at all times.



In line with policy to continually develop and improve its products, Moffat Limited reserves the right to change specifications and design without notice.

Printed in China
© Copyright Moffat Ltd
Moffat/5992/BH/2.5M/09.07

