

# GAS TILTING BRATT PAN 1200mm

G580-12, G580-12E

- 120L full stainless steel pan
- Manually operated tilting mechanism
- Optional electric power tilting mechanism
- Heavy-duty lid and hinge system
- Galvanized steel chassis
- Stainless steel exterior
- Easy clean
- Easy service
- Fully modular



G580-12

## Overall Construction

- Heavy-duty galvanized steel chassis
- Side panels 1.2mm stainless steel
- Splashback 1.2mm stainless steel
- Front panels 0.9mm stainless steel
- Enamelled pan front cover
- Full stainless steel pan with 2.0mm pan body
- 12mm thick stainless steel even heat pan base
- Large capacity pouring spout
- Heavy-duty spring balanced lid hinge system
- 1.5mm stainless steel lid suitable as bench-top workspace
- Full width stainless steel lid handle
- Manually operated pan lift handwheel with fold-away handle
- Electrically powered pan tilting option
- 63mm dia. heavy-duty stainless steel legs with adjustable feet

## Controls

- Large easy use control knobs - heat resistant reinforced
- Easy view control settings on knobs
- Single control for power and heating control
- Indicator lights for power and heating
- Quarter turn water valve control for ease of use
- Automatic pilot ignition and flame failure fitted
- 50-320°C electric thermostatic burner control
- Over temperature safety cut-out
- Fold away handle on manual pan tilt
- Pan up and down switches on electric pan tilt

## Cleaning and Servicing

- Seamless full stainless steel pan with rounded corners
- Easy clean stainless steel exterior panels
- Easy connection access via front service panels
- Service friendly lid hinge system
- Access to all parts from front of unit

# GAS TILTING BRATT PAN 1200mm

G580-12, G580-12E

## Specifications

### Burners

Single 8 bar stainless steel burner 25kW

### Gas power (gross)

25kW, 85,300 Btu/hr

### Pan

Cooking surface 1080mm x 450mm, 4860cm<sup>2</sup>  
215mm deep

### Gas connection

R 3/4 (BSP) male

All units supplied with Natural and LP gas regulator

### Water connection

Cold water connection

1/2" tube connection via 15mm crox fitting

550kPa, 80psi max water pressure

### Electrical connection

220-240Vac, 50/60Hz, 1A, 1P+N+E

3 pin 10A plug cordset fitted

### Dimensions

Width 1200mm

Depth 812mm

Height 915mm

Incl. splashback 1085mm

With lid open 1566mm

### Nett weight

206kg

### Packing data

1.36m<sup>3</sup>, 286kg

Width 1245mm

Depth 870mm

Height 1255mm

### Gas types

Available in Natural gas and LP gas,

please specify when ordering

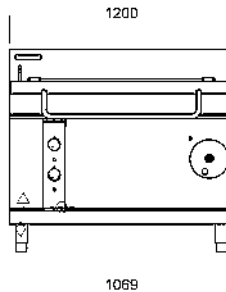
Units supplied complete with gas type

conversion kits

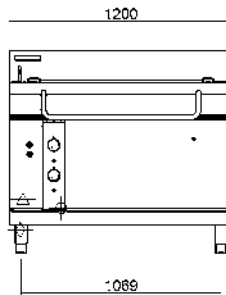
### Options

Joining caps

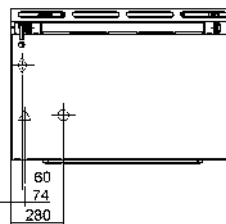
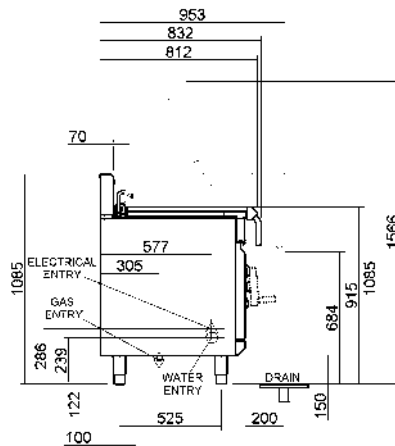
G580-12



G580-12E



G580-12, G580-12E



[moffat.com.au](http://moffat.com.au)

[moffat.co.nz](http://moffat.co.nz)

Australia

[moffat.com.au](http://moffat.com.au)

Moffat Pty Limited

Victoria/Tasmania  
740 Springvale Road  
Mulgrave, Victoria 3170  
Telephone +613-9518 3888  
Facsimile +613-9518 3833  
[vsales@moffat.com.au](mailto:vsales@moffat.com.au)

New South Wales  
Telephone +612-8833 4111  
[nswsales@moffat.com.au](mailto:nswsales@moffat.com.au)  
South Australia  
Telephone +613-9518 3888  
[vsales@moffat.com.au](mailto:vsales@moffat.com.au)

Queensland  
Telephone +617-3630 8600  
[qldsales@moffat.com.au](mailto:qldsales@moffat.com.au)

Western Australia  
Telephone +618-9413 2400  
[wasales@moffat.com.au](mailto:wasales@moffat.com.au)

New Zealand

[moffat.co.nz](http://moffat.co.nz)

Moffat Limited

Rolleston  
45 Illinois Drive  
Izone Business Hub  
Rolleston 7675  
Telephone +64 3-983 6600  
Facsimile +64 3-983 6660  
[sales@moffat.co.nz](mailto:sales@moffat.co.nz)

Auckland  
Telephone +64 9-574 3150  
[sales@moffat.co.nz](mailto:sales@moffat.co.nz)



Cert. No. 6923

In line with policy to continually develop and improve its products, Moffat Limited reserves the right to change specifications and design without notice.

© Copyright Moffat Ltd  
AN.BSE.01.19/1620

an Ali Group Company



The Spirit of Excellence