

# ELECTRIC GRIDDLE 1200mm

EP518-B, EP518-CB, EP518-LS, EP518-RB

- Heavy-duty thermostatic electric griddle
- 20mm thick griddle plate
- Ribbed plate options
- Mirror chromed plate options
- Top weld sealed plates
- 18kW heating elements
- Separate left, centre and right heat zones
- 3 models of base unit
- 1 model of refrigerated base with two GN 2/1 drawers
- Rear rollers
- Stainless steel exterior
- Easy clean
- Easy service
- Fully modular



EP518-LS

## Overall Construction

### Griddle

- 20mm thick machined top plates standard
- Optional ribbed plate sections
- Optional mirror finish hard chrome plates
- 2.5mm thick 304 stainless steel splash guards sides and rear
- 2.5mm thick grease channel
- 3 thermostatic control zones
- Welded hob surround with 1.5mm 304 stainless steel bull nose
- Side panels 1.2mm 304 stainless steel
- Splashback 1.2mm 304 stainless steel
- Vitreous enamelled control panel
- Stainless steel grease drawer
- Overlapping finish at front and rear of plate for easy clean

### Bench mount (supplied as -B model)

- Four 63mm dia. heavy-duty 1.2mm 304 stainless steel bench legs with adjustable feet.
- Adjustable height 80mm – 105mm

### Cabinet base (supplied as -CB model)

- Fully modular for match suite finish
- Double skin 0.9mm 304 stainless steel interior and exterior
- Optional GN 1/1 4 position racking kit (1 or 2 cabinet bays)
- Up to eight 65mm GN 1/1 capacity
- 63mm dia. heavy-duty 1.2mm 304 stainless steel legs with two adjustable feet at front and two rollers at rear

### Leg stand (supplied as -LS model)

- Fully modular for matched suite finish
- Framed top for connection to Griddle
- 63mm dia. heavy-duty 1.2mm 304 stainless steel legs with two adjustable feet at front and two rollers at rear
- Fully modular framed stand shelf with 0.9mm 304 stainless steel finish
- Quick assembly design

# ELECTRIC GRIDDLE 1200mm

EP518-B, EP518-CB, EP518-LS, EP518-RB

## Specifications

### Griddle

#### Elements

9 x 2kw stainless steel sheathed heating elements

#### Electrical requirements

16.2kW  
400-415Vac, 50/60Hz, 3P+N+E

#### Phase loading

L1 25A  
L2 25A  
L3 25A

#### Plate

Cooking surface 1192mm x 530mm, 6318cm<sup>2</sup>

#### Electrical connection

#### Refrigerated Base

#### Type

Ventilated system

#### Refrigerant

R134a (160grams)

#### Climate classification

T - tropical

#### Electrical connection

220-240Vac, 50Hz, 1.8A, 1P+N+E  
3 pin 10A plug cordset fitted

#### Dimensions

##### Bench models

Width 1200mm  
Depth 812mm  
Height 315mm  
Incl. splashback 485mm

##### All models (excluding Bench model)

Width 1200mm  
Depth 812mm  
Height 915mm  
Incl. splashback 1085mm

#### Nett weight

##### Bench and Leg Stand models

134kg

##### Cabinet Base and Refrigerated Base models

180kg

#### Packing data

##### Bench and Leg Stand models

1.36m<sup>3</sup>, 192kg  
Width 1245mm  
Depth 870mm  
Height 1255mm

##### Cabinet Base and Refrigerated Base models

1.36m<sup>3</sup>, 260kg  
Width 1245mm  
Depth 870mm  
Height 1255mm

#### Options

Adjustable feet at rear

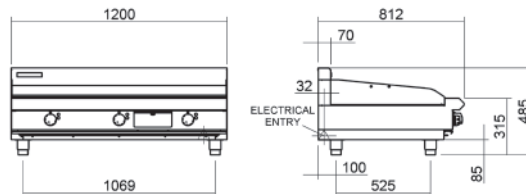
Joining caps

Castors

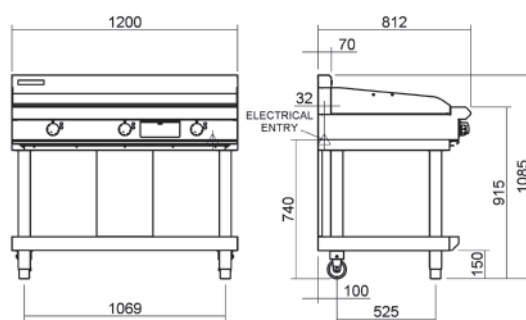
Ribbed plate options

Mirror chromed plate options

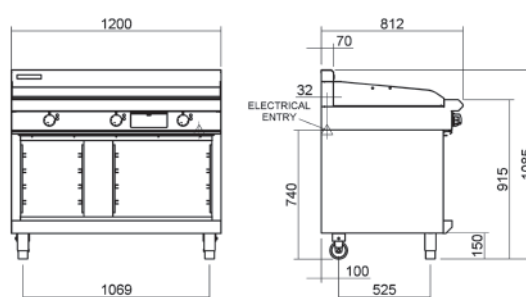
EP518-B



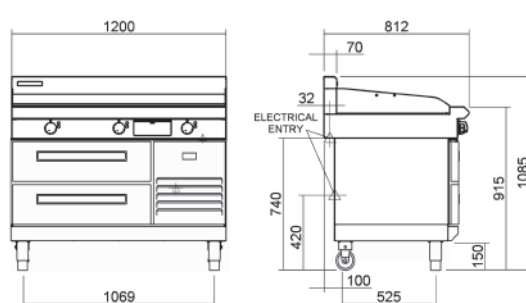
EP518-LS



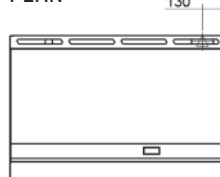
EP518-CB



EP518-RB



PLAN



[moffat.com.au](http://moffat.com.au)

[moffat.co.nz](http://moffat.co.nz)

#### Australia

[moffat.com.au](http://moffat.com.au)

#### Moffat Pty Limited

Victoria/Tasmania  
740 Springvale Road  
Mulgrave, Victoria 3170  
Telephone +613-9518 3888  
Facsimile +613-9518 3833  
[vsales@moffat.com.au](mailto:vsales@moffat.com.au)

New South Wales  
Telephone +612-8833 4111  
[nswsales@moffat.com.au](mailto:nswsales@moffat.com.au)

South Australia  
Telephone +613-9518 3888  
[vsales@moffat.com.au](mailto:vsales@moffat.com.au)

Queensland  
Telephone +617-3630 8600  
[qldsales@moffat.com.au](mailto:qldsales@moffat.com.au)

Western Australia  
Telephone +618-9413 2400  
[wasales@moffat.com.au](mailto:wasales@moffat.com.au)

#### New Zealand

[moffat.co.nz](http://moffat.co.nz)

#### Moffat Limited

Rolleston  
45 Illinois Drive  
Izone Business Hub  
Rolleston 7675  
Telephone +64 3-983 6600  
Facsimile +64 3-983 6660  
[sales@moffat.co.nz](mailto:sales@moffat.co.nz)

Auckland  
Telephone +64 9-574 3150  
[sales@moffat.co.nz](mailto:sales@moffat.co.nz)



In line with policy to continually develop and improve its products, Moffat Limited reserves the right to change specifications and design without notice.

© Copyright Moffat Ltd  
AN.BSE.01.2020