

# ELECTRIC GRIDDLE 900mm

EP516-B, EP516-CB, EP516-LS, EP516-RB

- Heavy-duty thermostatic electric griddle
- 20mm thick griddle plate
- Ribbed plate options
- Mirror chromed plate options
- Top weld sealed plates
- 12kW heating elements
- Separate left and right heat zones
- 3 models of base unit
- 1 model of refrigerated base with two GN 1/1 drawers
- Rear rollers
- Stainless steel exterior
- Easy clean
- Easy service
- Fully modular



EP516-LS

## Overall Construction

### Griddle

- 20mm thick machined top plates standard
- Optional ribbed plate sections
- Optional mirror finish hard chrome plates
- 2.5mm thick 304 stainless steel splash guards sides and rear
- 2.5mm thick grease channel
- Dual thermostatic control zones
- Welded hob surround with 1.5mm 304 stainless steel bull nose
- Side panels 1.2mm 304 stainless steel
- Splashback 1.2mm 304 stainless steel
- Vitreous enamelled control panel
- Stainless steel grease drawer
- Overlapping finish at front and rear of plate for easy clean

### Bench mount (supplied as -B model)

- Four 63mm dia. heavy-duty 1.2mm 304 stainless steel bench legs with adjustable feet.
- Adjustable height 80mm - 105mm

### Cabinet base (supplied as -CB model)

- Fully modular for match suite finish
- Double skin 0.9mm 304 stainless steel interior and exterior
- Optional GN 1/1 4 position racking kit (1 or 2 cabinet bays)
- Up to eight 65mm GN 1/1 capacity
- 63mm dia. heavy-duty 1.2mm 304 stainless steel legs with two adjustable feet at front and two rollers at rear

### Leg stand (supplied as -LS model)

- Fully modular for matched suite finish
- Framed top for connection to Griddle
- 63mm dia. heavy-duty 1.2mm 304 stainless steel legs with two adjustable feet at front and two rollers at rear
- Fully modular framed stand shelf with 0.9mm 304 stainless steel finish
- Quick assembly design

## Refrigerated Base (supplied as -RB model)

- Self contained suite matched modular base
- Ventilated system with R134a refrigerant
- -2° to +8°C temperature (Tropical Climate rated)
- Two GN 1/1 drawers
- 100mm deep pan capacity
- Heavy-duty European telescopic drawer guides
- Magnetic drawer gaskets (replaceable without tools)
- 50mm fully foamed CFC free insulation
- 304 stainless steel exterior and interior
- Anti-corrosion treated evaporator
- No condensate drain required
- 63mm dia. heavy-duty 1.2mm 304 stainless steel legs with adjustable feet
- Condensing unit removable through front of unit for service
- Easy clean interior

## Controls

### Griddle

- Separate left and right side heat zones
- Two 50-300°C thermostats
- Large easy use control knob - heat resistant reinforced
- Easy view control settings on knob
- Indicator lights for power and heating
- Over-temperature safety cut-outs

### Refrigerated Base

- Digital control electronic thermostat
- Automatic defrost
- Automatic evaporation of defrost water
- -2° to +8°C temperature range

## Cleaning and Servicing

- All models with easy clean stainless steel external finish
- Plate is finished front and rear with overlap construction to remove cleaning traps
- Control service through front of unit

# ELECTRIC GRIDDLE 900mm

EP516-B, EP516-CB, EP516-LS, EP516-RB

## Specifications

### Griddle

#### Elements

6 x 2kw stainless steel sheathed heating elements

#### Electrical requirements

12kW  
400-415Vac, 50/60Hz, 3P+N+E

#### Phase loading

L1 16.6A  
L2 16.6A  
L3 16.6A

#### Plate

Cooking surface 892mm x 530mm, 4728cm<sup>2</sup>

#### Refrigerated Base

##### Type

Ventilated system

##### Refrigerant

R134a (160grams)

##### Climate classification

T - tropical

##### Electrical connection

220-240Vac, 50Hz, 1.8A, 1P+N+E  
3 pin 10A plug cordset fitted

#### Dimensions

##### Bench models

Width 900mm  
Depth 812mm  
Height 315mm  
Incl. splashback 485mm

##### All models (excluding Bench model)

Width 900mm  
Depth 812mm  
Height 915mm  
Incl. splashback 1085mm

#### Nett weight

**Bench and Leg Stand models**  
125kg

**Cabinet Base and Refrigerated Base models**  
158kg

#### Packing data

##### Bench and Leg Stand models

0.55m<sup>3</sup>, 170kg  
Width 945mm  
Depth 870mm  
Height 665mm

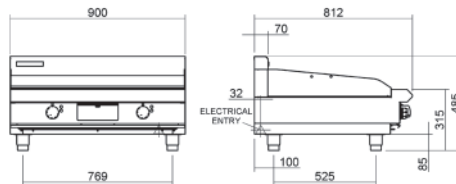
##### Cabinet Base and Refrigerated Base models

1.03m<sup>3</sup>, 223kg  
Width 945mm  
Depth 870mm  
Height 1255mm

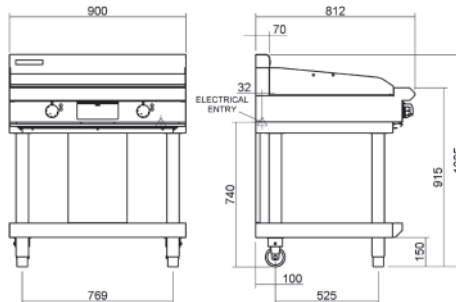
#### Options

Adjustable feet at rear  
Joining caps  
Castors  
Ribbed plate options  
Mirror chromed plate options

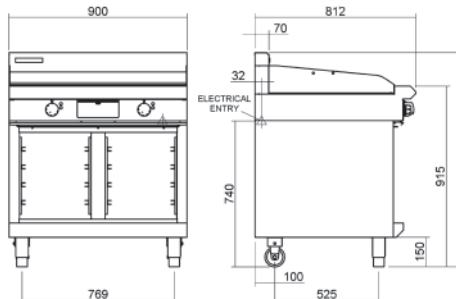
EP516-B



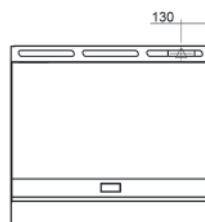
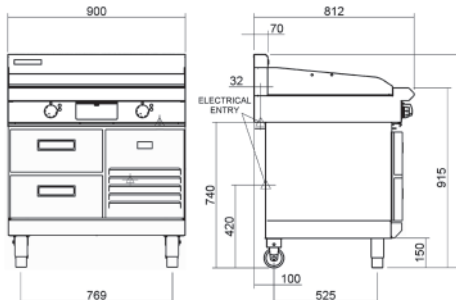
EP516-LS



EP516-CB



EP516-RB



[moffat.com.au](http://moffat.com.au)  
[moffat.co.nz](http://moffat.co.nz)

Australia  
[moffat.com.au](http://moffat.com.au)

#### Moffat Pty Limited

Victoria/Tasmania  
740 Springvale Road  
Mulgrave, Victoria 3170  
Telephone +613-9518 3888  
Facsimile +613-9518 3833  
[vsales@moffat.com.au](mailto:vsales@moffat.com.au)

New South Wales  
Telephone +612-8833 4111  
[nswsales@moffat.com.au](mailto:nswsales@moffat.com.au)

South Australia  
Telephone +613-9518 3888  
[vsales@moffat.com.au](mailto:vsales@moffat.com.au)

Queensland  
Telephone +617-3630 8600  
[qldsales@moffat.com.au](mailto:qldsales@moffat.com.au)

Western Australia  
Telephone +618-9413 2400  
[wasales@moffat.com.au](mailto:wasales@moffat.com.au)

New Zealand  
[moffat.co.nz](http://moffat.co.nz)

#### Moffat Limited

Rolleston  
45 Illinois Drive  
Izone Business Hub  
Rolleston 7675  
Telephone +64 3-983 6600  
Facsimile +64 3-983 6660  
[sales@moffat.co.nz](mailto:sales@moffat.co.nz)

Auckland  
Telephone +64 9-574 3150  
[sales@moffat.co.nz](mailto:sales@moffat.co.nz)



In line with policy to continually develop and improve its products, Moffat Limited reserves the right to change specifications and design without notice.

© Copyright Moffat Ltd  
AN.BSE.01.2020

an Ali Group Company



The Spirit of Excellence