

ADJUSTABLE ELECTRIC SALAMANDER

E90

- 3.6kW
- Self balancing adjustable grill height
- Grilling rack and collection tray
- 1/1 GN pan compatible
- Left and right heat control
- Open on 3 sides allowing easy loading
- Wall mounting bracket option
- Easy clean



E90

Overall Construction

- Monocoque construction
- Stainless steel exterior
- Stainless steel tray under grilling area
- Two 1.8kW elements

Controls

- Large easy use controls
 - Indicator light for each element
 - Each side controlled by an energy regulator
-

ADJUSTABLE ELECTRIC SALAMANDER

E90

Specifications

Elements

2 x 1.8kW

Electrical requirements

230-240V, 1P+N+E, 50/60Hz
3.6kW, 15A

Dimensions

Width 600mm
Depth 510mm (540mm with wall mounting bracket)
Height 514mm

Cooking area

Rack size 600mm x 350mm
1/1 GN pan size

Nett weight

47kg

Packing data

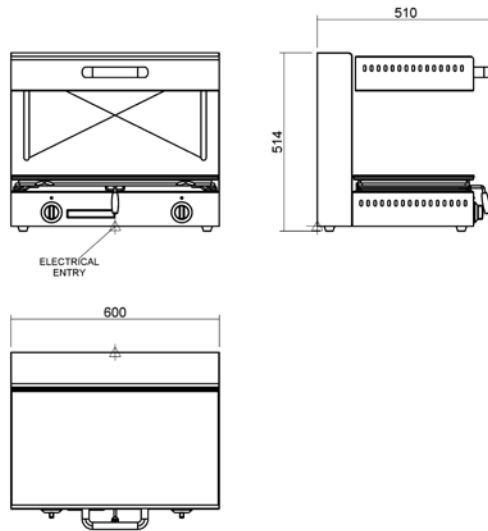
0.23m³, 53kg
Width 690mm
Depth 570mm
Height 570mm

Electrical connection

3 pin plug cordset (15A) fitted

Options

Wall mounting bracket



moffat.com.au

moffat.co.nz

Australia

moffat.com.au

Moffat Pty Limited

Victoria/Tasmania
740 Springvale Road
Mulgrave, Victoria 3170
Telephone +613-9518 3888
Facsimile +613-9518 3833
vsales@moffat.com.au

New South Wales
Telephone +612-8833 4111
nswsales@moffat.com.au
South Australia
Telephone +613-9518 3888
vsales@moffat.com.au

Queensland
Telephone +617-3630 8600
qldsales@moffat.com.au

Western Australia
Telephone +618-9413 2400
wasales@moffat.com.au

New Zealand

moffat.co.nz

Moffat Limited

Rolleston
45 Illinois Drive
Izone Business Hub
Rolleston 7675
Telephone +64 3-983 6600
Facsimile +64 3-983 6660
sales@moffat.co.nz

Auckland
Telephone +64 9-574 3150
sales@moffat.co.nz



In line with policy to continually develop and improve its products, Moffat Limited reserves the right to change specifications and design without notice.

© Copyright Moffat Ltd
AN.BSE.01.19/1620

an Ali Group Company



The Spirit of Excellence