

# ELECTRIC COOKTOPS 600mm

E514D-B, E514D-CB, E514D-LS, E514C-B, E514C-CB, E514C-LS, E514B-B, E514B-CB, E514B-LS

- Heavy-duty construction
- 2.4kW open radiant elements
- Optional hot plate elements
- 300mm and 600mm griddle plate options
- 3 models of base unit
- Rear rollers
- Stainless steel exterior
- Easy clean
- Easy service
- Fully modular



E514D-LS

## Overall Construction

### Cooktop

- Welded hob with 1.5mm 304 stainless steel bull nose
- Side panels 1.2mm 304 stainless steel
- Splashback 1.2mm 304 stainless steel
- Vitreous enamelled control panel
- 2.4kW open radiant elements in heavy-duty welded element frames
- Stainless steel spill trays
- Hot plate elements with machine finished 8mm steel plate (optional extra)
- 12mm thick mild steel griddle plates
- 2.5mm 304 stainless steel griddle splash guards
- Aluminised steel internal construction

Griddle sections are standard on RH side. Available on LH side to order.

### Bench mount (supplied as -B model)

- Four 63mm dia. heavy-duty 1.2mm 304 stainless steel bench legs with adjustable feet
- Adjustable height 80mm - 105mm

### Cabinet Base (supplied as -CB model)

- Fully modular for match suite finish
- Double skin 0.9mm 304 stainless steel interior and exterior
- Optional GN 1/1 4 position racking kit
- 63mm dia. heavy-duty 1.2mm 304 stainless steel legs with two adjustable feet at front and two rollers at rear

### Leg Stand (supplied as -LS model)

- Fully modular for matched suite finish
- Framed top for connection to Cooktop

- 63mm dia. heavy-duty 1.2mm 304 stainless steel legs with two adjustable feet at front and two rollers at rear
- Fully modular framed stand shelf with 0.9mm 304 stainless steel finish
- Quick assembly design

## Controls

- Large easy use control knob - heat resistant reinforced
- Easy view control settings on knob
- Radiant elements with energy regulator controls
- Hot Plate elements with energy regulator controls
- 50-320°C thermostat per 300mm griddle section
- Indicator lights for power and heating for each griddle control
- Power indicator lights for each element control

## Cleaning and Servicing

- All models with easy clean stainless steel external finish
- Stainless steel spill trays
- Lift up element and griddle sections
- Access to all parts from front of unit

# ELECTRIC COOKTOPS 600mm

E514D-B, E514D-CB, E514D-LS, E514C-B, E514C-CB, E514C-LS, E514B-B, E514B-CB, E514B-LS

## Specifications

### Cooktop

2.4 kW Open Radiant elements  
2.0 kW Hot Plate elements  
3.4 kW Griddle elements  
(per 300mm griddle section)

### Griddle Plate

300mm Griddle cooking surface  
292mm x 475mm, 1387cm<sup>2</sup>  
600mm Griddle cooking surface  
592mm x 475mm, 2812cm<sup>2</sup>

### Electrical requirements

#### E514D

9.6 kW, 400-415Vac, 50/60hz, 2P+N+E, 20A/phase

#### E514C

8.2 kW, 400-415Vac, 50/60hz, 2P+N+E,  
20A/phase max

#### E514B

6.8 kW, 230-240Vac, 50/60hz, 1P+N+E, 28.3A

### Dimensions

#### Bench models

Width 600mm  
Depth 812mm  
Height 315mm  
Incl. splashback 485mm

#### All models (excluding Bench model)

Width 600mm  
Depth 812mm  
Height 915mm  
Incl. splashback 1085mm

### Nett weight

#### Bench and Leg Stand models

74kg

#### Cabinet Base models

79kg

### Packing data

#### Bench and Leg Stand models

0.37m<sup>3</sup>, 110kg  
Width 645mm  
Depth 870mm  
Height 665mm

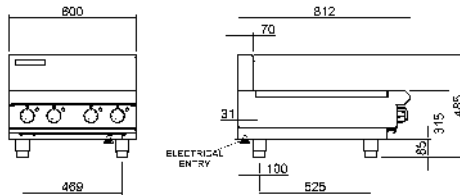
#### Cabinet Base models

0.70m<sup>3</sup>, 131kg  
Width 870mm  
Depth 645mm  
Height 1255mm

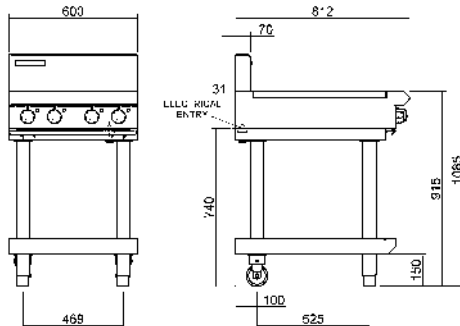
### Options

Adjustable feet at rear  
Hot plate elements  
(replace individual open radiant elements)  
Ribbed griddle plates

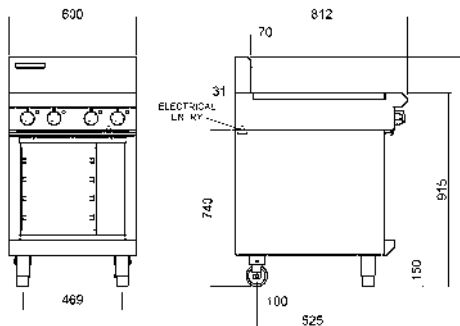
E514-B



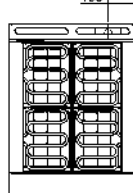
E514-LS



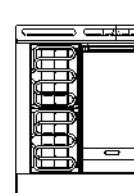
E514-CB



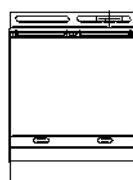
E514D



E514C



E514B



[moffat.com.au](http://moffat.com.au)  
[moffat.co.nz](http://moffat.co.nz)

Australia  
[moffat.com.au](http://moffat.com.au)

### Moffat Pty Limited

Victoria/Tasmania  
740 Springvale Road  
Mulgrave, Victoria 3170  
Telephone +613-9518 3888  
Facsimile +613-9518 3833  
[vsales@moffat.com.au](mailto:vsales@moffat.com.au)

New South Wales  
Telephone +612-8833 4111  
[nswsales@moffat.com.au](mailto:nswsales@moffat.com.au)  
South Australia  
Telephone +613-9518 3888  
[vsales@moffat.com.au](mailto:vsales@moffat.com.au)

Queensland  
Telephone +617-3630 8600  
[qldsales@moffat.com.au](mailto:qldsales@moffat.com.au)  
Western Australia  
Telephone +618-9413 2400  
[wasales@moffat.com.au](mailto:wasales@moffat.com.au)

New Zealand  
[moffat.co.nz](http://moffat.co.nz)

### Moffat Limited

Rolleston  
45 Illinois Drive  
Izone Business Hub  
Rolleston 7675  
Telephone +64 3-983 6600  
Facsimile +64 3-983 6660  
[sales@moffat.co.nz](mailto:sales@moffat.co.nz)

Auckland  
Telephone +64 9-574 3150  
[sales@moffat.co.nz](mailto:sales@moffat.co.nz)



In line with policy to continually develop and improve its products, Moffat Limited reserves the right to change specifications and design without notice.

© Copyright Moffat Ltd  
AN.BSE.01.19/1620