

ELECTRIC COOKTOPS 300mm

E512D-B, E512C-B

- Heavy-duty construction
- 2.4kW open radiant elements
- Optional hot plate elements
- 300mm griddle plate options
- Stainless steel exterior
- Easy clean
- Easy service
- Fully modular



E512D-B

Overall Construction

Cooktop

- Welded hob with 1.5mm 304 stainless steel bull nose
- Side panels 1.2mm 304 stainless steel
- Splashback 1.2mm 304 stainless steel
- Vitreous enamelled control panel
- 2.4kW open radiant elements in heavy-duty welded element frames
- Stainless steel spill tray
- Hot plate elements with machine finished 8mm steel plate (optional extra)
- 12mm thick mild steel griddle plates
- 2.5mm 304 stainless steel griddle splash guards
- Aluminised steel internal construction

Bench mount (supplied as -B model)

- Four 63mm dia. heavy-duty 1.2mm 304 stainless steel bench legs with adjustable feet
- Adjustable height 80mm – 105mm

Controls

- Large easy use control knob - heat resistant reinforced
- Easy view control settings on knob
- Radiant elements with energy regulator controls
- Hot Plate elements with energy regulator controls
- 50-320°C thermostat on griddle section
- Power indicator lights for each element control
- Indicator lights for power and heating for each griddle control

Cleaning and Servicing

- All models with easy clean stainless steel external finish
 - Stainless steel spill tray
 - Lift up element and griddle sections
 - Access to all parts from front of unit
-

ELECTRIC COOKTOPS 300mm

E512D-B, E512C-B

Specifications

Cooktop

2.4 kW Open Radiant elements
2.0 kW Hot Plate elements
3.4 kW Griddle elements
(per 300mm griddle section)

Griddle Plate

300mm Griddle cooking surface
292mm x 475mm, 1387cm²

Electrical requirements

E512D

4.8 kW, 230-240Vac, 50/60hz, 1P+N+E, 20A

E512C

3.4 kW, 230-240Vac, 50/60hz, 1P+N+E, 14.2A

Dimensions

Width 300mm
Depth 812mm
Height 315mm
Incl. splashback 485mm

Nett weight

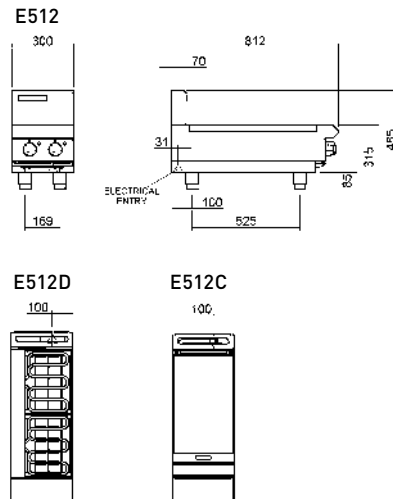
32kg

Packing data

0.20m³, 55kg
Width 870mm
Depth 350mm
Height 665mm

Options

Hot plate elements
(replace individual open radiant elements)
Ribbed griddle plates



moffat.com.au
moffat.co.nz

Australia
moffat.com.au

Moffat Pty Limited

Victoria/Tasmania
740 Springvale Road
Mulgrave, Victoria 3170
Telephone +613-9518 3888
Facsimile +613-9518 3833
vsales@moffat.com.au

New South Wales
Telephone +612-8833 4111
nswsales@moffat.com.au
South Australia
Telephone +613-9518 3888
vsales@moffat.com.au

Queensland
Telephone +617-3630 8600
qldsals@moffat.com.au

Western Australia
Telephone +618-9413 2400
wasales@moffat.com.au

New Zealand

moffat.co.nz

Moffat Limited

Rolleston
45 Illinois Drive
Izone Business Hub
Rolleston 7675
Telephone +64 3-983 6600
Facsimile +64 3-983 6660
sales@moffat.co.nz

Auckland
Telephone +64 9-574 3150
sales@moffat.co.nz



In line with policy to continually develop and improve its products, Moffat Limited reserves the right to change specifications and design without notice.

© Copyright Moffat Ltd
AN.BSE.01.19/1620

an Ali Group Company



The Spirit of Excellence