

BENCH TOPS 450mm

B45-CB, B45-LS

- Heavy-duty construction
- Cabinet Base or Leg Stand
- Stainless steel exterior
- Easy clean
- Fully modular



B45-CB

Overall Construction

Bench Top

- 3.5mm thick compound work surface
 - 1.5mm 304 stainless steel top
 - 2.0mm galvanised steel backing
- Welded 1.5mm stainless steel bull nose
- Splashback and side panels 1.2mm stainless steel

Cabinet Base (supplied as -CB model)

- Modular for suite matched finish
- Double skin 0.9mm stainless steel interior and exterior
- GN 1/1 4 position racking kit
- 63mm dia. heavy-duty 1.2mm stainless steel legs with adjustable feet

Leg Stand (Supplied as -LS model)

- Modular for suite matched finish
- 63mm dia. heavy-duty 1.2mm stainless steel legs with adjustable feet
- Framed stand shelf with 0.9mm stainless steel finish
- Quick assembly design (no tools required)



B45-LS

BENCH TOPS 450mm

B45-CB, B45-LS

Specifications

Dimensions

Width 600mm
Depth 812mm
Height 915mm
Incl. splashback 1085mm

Nett weight

Cabinet Base models

52kg

Leg Stand models

40kg

Packing data

Cabinet Base models

0.55m³, 93kg

Width 495mm

Depth 870mm

Height 1260mm

Leg Stand models

0.29m³, 74kg

Width 495mm

Depth 870mm

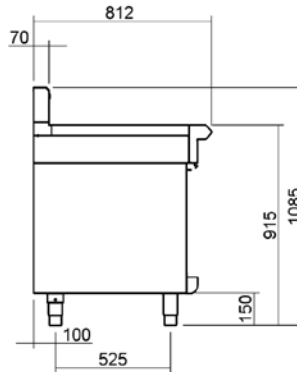
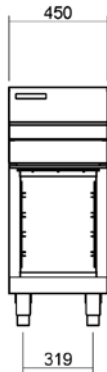
Height 665mm

Options at extra cost

Castors

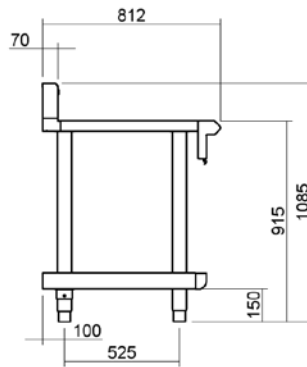
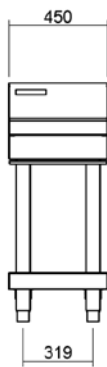
B45-CB

Cabinet Base



B45-LS

Leg Stand Model



B45



moffat.com.au

moffat.co.nz

Australia

moffat.com.au

Moffat Pty Limited

Victoria/Tasmania
740 Springvale Road
Mulgrave, Victoria 3170
Telephone +613-9518 3888
Facsimile +613-9518 3833
vsales@moffat.com.au

New South Wales
Telephone +612-8833 4111
nswsales@moffat.com.au
South Australia
Telephone +613-9518 3888
vsales@moffat.com.au

Queensland
Telephone +617-3630 8600
qldsales@moffat.com.au

Western Australia
Telephone +618-9413 2400
wasales@moffat.com.au

New Zealand

moffat.co.nz

Moffat Limited

Rolleston
45 Illinois Drive
Izone Business Hub
Rolleston 7675
Telephone +64 3-983 6600
Facsimile +64 3-983 6660
sales@moffat.co.nz

Auckland
Telephone +64 9-574 3150
sales@moffat.co.nz



In line with policy to continually develop and improve its products, Moffat Limited reserves the right to change specifications and design without notice.

© Copyright Moffat Ltd
AN.BSE.01.19/1620

an Ali Group Company



The Spirit of Excellence