

**Warewashing  
Small Single Skin Glasswasher,  
drain pump and detergent and rinse  
aid dispenser, 30b/h**

ITEM # \_\_\_\_\_

MODEL # \_\_\_\_\_

NAME # \_\_\_\_\_

SIS # \_\_\_\_\_

AIA # \_\_\_\_\_



402271 (ZSGWM)

Glasswasher (small), with single skin, multi-rack dimensions, built-in drain pump, detergent and rinse aid dispenser, 2 cycles, 40b/h

**Short Form Specification**

Item No. \_\_\_\_\_

Unit shall be Glasswasher type hot water rinsing for multi-rack dimensions. Electrical characteristics to be 230 single phase operation with two washing cycles of 90/120 seconds. Rinse temperature and pressure guaranteed by built in pressure boiler. Washing performance is ensured by a powerful wash pump, revolving washing spray arms. Double skinned counter-balance door. Provided with a double rack support allowing the use of 3 types of racks: the first rail support accommodates standard 400x400 mm racks; the second can accommodate either 14"x14" (365x365 mm) or 17"x14" (435x365 mm) racks, both of which stop in the middle of the washing chamber. 304 stainless steel construction to include door, frame, wash tank. The unit shall include drain pump, detergent and rinse aid dispenser pump and be equipped with electric cable.

**Main Features**

- Deep drawn pressed wash tank with fully rounded corners, sloped towards the drain to prevent dirt build up provides fast drainage in only a few minutes. Pressed wash tank with no welded points offer a guaranteed water tight solution.
- Maximum capacity of 40 racks per hour.
- Equipped with single phase electrical cable for easy and fast installation.
- Easy service access to main components without moving the unit.
- Built-in rinse aid and detergent dispenser with automatic initial and continuous cycle loading for perfect result while minimizing service and maintenance needs.
- Equipped with drain pump for easy and quick installation without opening the machine.
- 90/120 seconds cycle.
- Built-in pressure boiler designed to raise incoming water to a guaranteed minimum temperature of 82°C for sanitizing rinse. No external boiler is required.
- Simple operation control panel.
- Washing system endowed with rotating washing arms, high powered wash pump and large capacity wash tank for professional washing.
- Provided with a double rack support allowing the use of 3 types of racks: the first rail support accommodates standard 400x400 mm racks; the second can accommodate either 14 "x14" (365x365 mm) or 17"x14" (435x365 mm) racks, both of which stop in the middle of the washing chamber.

**Construction**

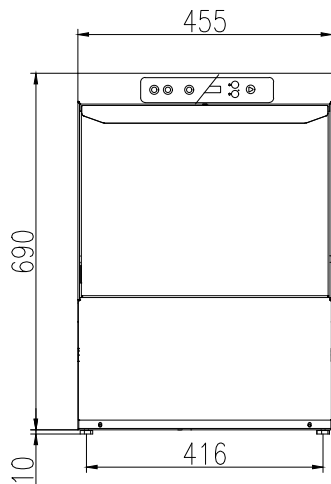
- Completely closed on the back by a cover plate.
- Internal components (arms and filter) are easy extractable.
- Insulated double skin door construction preserves heat inside the tank to lower energy consumption and the noise. Counter-balance mechanism minimizes impact when opening and closing.
- Unit to feature rinse aid and detergent dispenser pumps.
- Finished in top quality materials to ensure durability.
- Robust structure thanks to stainless steel construction.

**Optional Accessories**

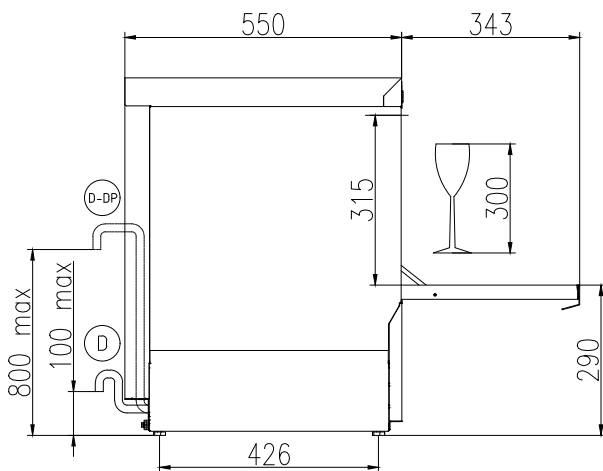
- Square basket for plates, 400x400x110mm PNC 867039
- Round basket for glasses, 400x180mm PNC 867047
- Inclination insert for glasses 400x400 mm PNC 867069
- Kit detergent dispenser for single skin XS and single skin S glasswasher PNC 867072

APPROVAL: \_\_\_\_\_

**Front**



**Side**



- CW11** = Cold Water inlet 1  
(cleaning)
- EI** = Electrical inlet (power)
- EO** = Electrical Outlet
- WI** = Water inlet
- XD** = Detergent connection
- XR** = Rinse aid connection

**Electric**

<b>Supply voltage:</b>	
402271 (ZSGWM)	220/240 V/1 ph/50 Hz
<b>Default Installed Power:</b>	2.89 kW
<b>Boiler heating elements:</b>	2.7 kW
<b>Tank heating elements:</b>	2.4 kW
<b>Wash pump size:</b>	0.2 kW

**Water:**

<b>Pressure, bar min/max:</b>	0-5 bar
<b>Water supply temperature*:</b>	10-50 °C
<b>Drain line size:</b>	
<b>Washing tank capacity (lt):</b>	12
<b>Water consumption per cycle (lt):</b>	2
<b>Boiler Capacity (lt):</b>	3
<b>Incoming water line size:</b>	3/4"

**Key Information:**

<b>Baskets per hour*:</b>	40
<b>Working cycles time (sec.):</b>	90
<b>Wash temperature:</b>	60°C
<b>Cell dimensions - width:</b>	400 mm
<b>Cell dimensions - depth:</b>	400 mm
<b>Cell dimensions - height:</b>	290 mm
<b>Rinse temperature:</b>	85 °C
<b>External dimensions, Width:</b>	455 mm
<b>External dimensions, Height:</b>	700 mm
<b>External dimensions, Depth:</b>	550 mm
<b>Net weight:</b>	38 kg
<b>Shipping weight:</b>	42 kg
<b>Shipping height:</b>	850 mm
<b>Shipping width:</b>	630 mm
<b>Shipping depth:</b>	540 mm
<b>Shipping volume:</b>	0.29 m <sup>3</sup>
<b>Noise level:</b>	