

Warewashing Small Double Skin GW, elec,cold rinse, multi-rack support, drain pump, det&rinse aid disp,60b/h

ITEM # _____

MODEL # _____

NAME # _____

SIS # _____

AIA # _____



402231 (ZSICGMS)

Glasswasher (small), with double skin, electronic control, cold rinse, multi-rack support, built-in drain pump, detergent and rinse aid dispensers, 3 cycles, 60b/h

Short Form Specification

Item No. _____

Unit shall be Glasswasher type hot water rinsing. Electrical characteristics to be 230 volts single phase 50Hz operation. Washing performance is ensured by a powerful wash pump, revolving washing spray arms both from bottom and top. Rinse temperature and pressure guaranteed by built in pressure boiler. Three automatic cycles of 60/ 120/ 66 seconds suitable for glasses and small plates/ saucer. Third cycle having cold rinse after hot rinse phase provides hygiene glasses and cold enough to handle. Double skin counter-balance door. Large door opening of 290mm for washing tall glasses. Double skin cabinet. Pressed tank with round corners. Provided with a double rack support allowing the use of 400x400 mm or 14"x14" (365x365 mm) racks. 304 stainless steel construction to include door, frame, wash tank, tank filter, wash arms and rinse arms. Electronic control with temperature display. The unit shall include drain pump, detergent and rinse aid dispenser pumps and is equipped with electric cable.

Main Features

- Low noise level.
- Built-in pressure boiler designed to raise incoming water to a guaranteed minimum temperature of 82°C for sanitizing rinse. No external boiler is required.
- Washing system endowed with rotating washing arms from both top and bottom, high powered wash pump and large capacity wash tank guarantee professional washing.
- Easy service access to main components without moving the unit.
- Optional rinse booster pump available to be installed on site.
- Adjustable feet for full access underneath the machine for cleaning.
- Incorporated Soft Start feature to offer additional protection to more delicate items.
- Built-in rinse aid and detergent dispenser with automatic initial and continuous cycle loading for perfect result while minimizing service and maintenance needs.
- Equipped with drain pump for easy and quick installation without opening the machine.
- Extra program to cold rinse beer and wine glasses providing sanitized glasses, cool enough to handle.
- Equipped with single phase electric cable for easy and fast installation.
- Maximum capacity of 60 racks per hour.
- Equipped with back flow prevention device to avoid dirty water flowing back to main water supply in case of failure.
- New electronic control panel for easy setup of the working parameters and self diagnosis.
- 60/120/66 seconds cycle, the third cycle includes cold rinse.
- Provided with a double rack support allowing the use of 400x400 mm or 14"x14" (365x365 mm) racks.

Construction

- Completely closed on the back by a cover plate.
- Wash/rinse arms and nozzles in stainless steel.
- Finished in top quality stainless steel with double skinned construction to aid durability and reduce noise.
- Internal components (arms and filter) are easy extractable.
- Unit to feature rinse aid and detergent dispenser pumps.
- Large tank filter collects the soil to keep the wash water clean for a longer time and have better washing performance.
- Deep drawn pressed wash tank with fully rounded corners, sloped towards the drain to prevent dirt buildup, provides fast drainage in just a few minutes. With no welding points the pressed tank offers a guaranteed water tight solution.
- 304 AISI stainless steel front panel, load bearing frame, wash tank, tank filter, wash and rinse arms.

Sustainability

- Insulated double skin door construction preserves heat inside the tank to lower energy consumption and the noise. Counter-balance mechanism minimizes impact when opening and closing.

APPROVAL: _____

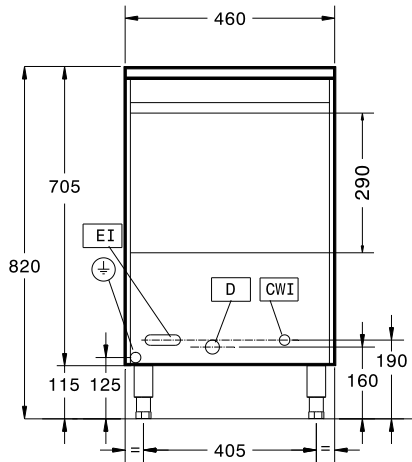
Included Accessories

- 1 of Stainless steel tank filter for glasswashers PNC 864003
- 1 of Square basket for glasses 400x400x150mm PNC 864470

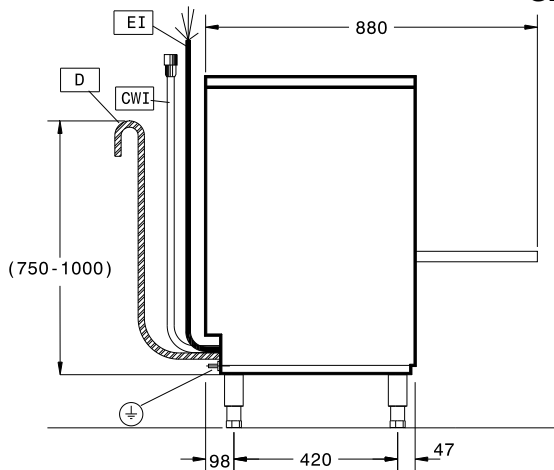
Optional Accessories

- External manual water softener - 12 lt PNC 860412
- External automatic water softener - 8 lt PNC 860413
- External manual water softener - 20 lt PNC 860430
- Filter for partial demineralization PNC 864017
- Kit to measure total/partial water hardness PNC 864050
- Rinse booster pump kit for single tank pressure dishwasher PNC 864051
- Yellow cutlery container PNC 864242
- Pressure reducer for single tank dishwasher PNC 864461
- Set of 4 yellow cutlery containers PNC 865574
- Cover grid for small/light items in rack PNC 867016
- Insert for 12 saucers, 290x90x75mm PNC 867048
- Basket for 16 plates diam.190 mm, 8 plates diam. 240 mm PNC 867052
- Basket for glasses, h. 100 mm PNC 867053
- Basket for glasses, h. 200 mm PNC 867054
- Basket for glasses and saucers/cutlery inserts PNC 867055
- Basket for 16 glasses, h. 200 mm with angled base PNC 867056
- Round basket kit with square frame PNC 867057
- Insert for "flute" glasses PNC 867058
- Insert for 14 saucers for CEB 100/200 PNC 867060
- Inclined insert for cups PNC 867061
- Insert for 7 plates diam. 240 mm PNC 867062

Front

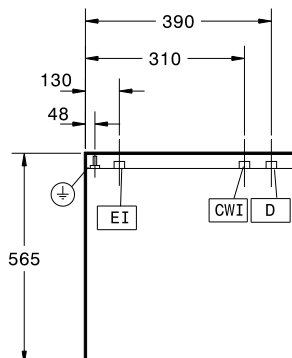


Side



- CW11** = Cold Water inlet 1 (cleaning) **XR** = Rinse aid connection
D = Drain
EI = Electrical inlet (power)
EO = Electrical Outlet
WI = Water inlet
XD = Detergent connection

Top



Electric

Supply voltage:	
402231 (ZSICGMS)	220-240 V/1 ph/50 Hz
Default Installed Power:	3.3 kW
Boiler heating elements:	3 kW
Tank heating elements:	0.8 kW
Wash pump size:	0.3 kW

Water:

Pressure, bar min/max:	1.8-3 bar
Drain line size:	27mm
Washing tank capacity (lt):	6
Boiler Capacity (lt):	5
Incoming water line size:	G 3/4"

Key Information:

Baskets per hour*:	60
Working cycles time (sec.):	60/120/66
Wash temperature:	55-65°C
Cell dimensions - width:	400 mm
Cell dimensions - depth:	400 mm
Cell dimensions - height:	290 mm
Rinse temperature:	80-90 °C
External dimensions, Width:	460 mm
External dimensions, Depth:	565 mm
External dimensions, Height:	820 mm
Net weight:	37 kg
Shipping weight:	44 kg
Shipping height:	900 mm
Shipping width:	500 mm
Shipping depth:	620 mm
Shipping volume:	0.28 m ³

Sustainability

Water supply temperature*:	10-65 °C
Water consumption per cycle (lt):	2.3
Noise level:	69 dBA