

Modular Cooking Range Line EVO900 One Well Electric Fryer 23 liter with Electronic control

ITEM # _____

MODEL # _____

NAME # _____

SIS # _____

AIA # _____



392339 (Z9KKHDBAMCG) 23-lt electric fryer with 1 "V" shaped well (external heating elements) and 2 half size baskets, time and temperature electronic control - hp - free standing

392386 (Z9KKHOBAMCG) 23-lt electric fryer with 1 "V" shaped well (external heating elements) and 2 half size baskets, time and temperature electronic control - hp - free standing

Short Form Specification

Item No. _____

High efficiency external infrared heating elements (18kW) with innovative deflectors attached to the outside of the well. Deep drawn V-Shaped well and equipped with electronic control panel. Melting function to safely heat-up solid shortening used to fry products. Oil drains through a tap into a container positioned under the well. Height adjustable feet in stainless steel. Exterior panels in stainless steel. Worktop in 20/10, stainless steel. Right-angled side edges eliminate gaps and possible dirt traps between units.

Main Features

- Deep drawn V-Shaped well.
- Interior of well with rounded corners for ease of cleaning.
- External infrared heating elements for ease of cleaning of internal well.
- Melting function to safely heat-up solid shortening used to fry products.
- Thermostatic regulation of oil temperature up to a maximum of 185 °C.
- Overheat protection thermostat as standard on all units.
- Oil drains through a tap into a drainage container positioned under the well.
- All major compartments located in front of unit for ease of maintenance.
- Unit to be equipped with electronic control panel.
- Unit is 93 cm deep to give a larger working surface area.
- IPX5 water resistance certification.
- The special design of the control knob system guarantees against water infiltration.
- Exterior panels in Stainless Steel with Scotch Brite finish.
- Model has right-angled side edges to allow flush fitting joints between units, eliminating gaps and possible dirt traps.
- Unit delivered with four 50 mm legs in stainless steel as standard (all round Stainless steel kick plates as option).
- Supplied as standard with 2 half size baskets and 1 right side door for cupboard.

Construction

- All exterior panels in Stainless Steel with Scotch Brite finishing.
- Model has right-angled side edges to allow flush fitting joints between units, eliminating gaps and possible dirt traps.
- Interior of well with rounded corners for ease of cleaning.
- Unit is 900mm deep to give a larger working surface area.
- Unit delivered with four 50 mm legs in stainless steel as standard.

APPROVAL: _____

Included Accessories

- 1 of Stainless steel oil filter for 23 litres fryer to remove particles of grease and food residuals) - EVO900 (only for 392339) PNC 200086
- 1 of Door for open base cupboard (only for 392386) PNC 206342
- 1 of DOOR FOR OPEN BASE CUPBOARD (only for 392339) PNC 206350
- 1 of 2 half size baskets for 18/23lt well fryers PNC 927223

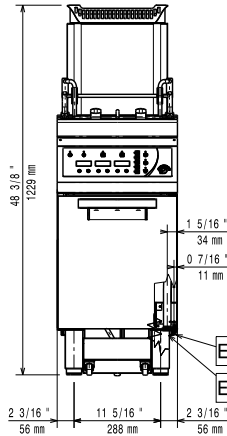
Optional Accessories

- Stainless steel oil filter for 23 litres fryer to remove particles of grease and food residuals) - EVO900 PNC 200086
- Lid for oil container for 23 l fryers (only for 392386) PNC 200171
- Junction sealing kit PNC 206086
- 4 wheels, 2 swivelling with brake (EVO700/900). It is mandatory to install with base supports for feet/wheels. (only for 392339) PNC 206135
- Flanged feet kit PNC 206136
- Frontal kicking strip for concrete installation, 400 mm (only for 392386) PNC 206147
- Frontal kicking strip for concrete installation, 800 mm (only for 392386) PNC 206148
- Frontal kicking strip for concrete installation, 1000 mm (only for 392386) PNC 206150
- Frontal kicking strip for concrete installation, 1200 mm (only for 392386) PNC 206151
- Frontal kicking strip for concrete installation, 1600 mm (only for 392386) PNC 206152
- Side handrail for right/left hand (only for 392386) PNC 206165
- Frontal handrail 400 mm (only for 392386) PNC 206166
- Frontal handrail 800 mm (only for 392386) PNC 206167
- Pair of side kicking strips PNC 206180
- 2 panels for service duct (single installation) (only for 392386) PNC 206181
- Large handrail (portioning shelf) 400 mm (only for 392386) PNC 206185
- Large handrail (portioning shelf) 800 mm (only for 392386) PNC 206186
- Frontal handrail 1200 mm (only for 392386) PNC 206191
- Frontal handrail 1600 mm (only for 392386) PNC 206192
- Hygienic lid for 23lt fryers PNC 206201
- 2 panels for service duct (back to back installation) (only for 392386) PNC 206202
- Frontal kicking strip for 23lt fryers in two parts PNC 206203
- Extension pipe for oil drainage for 15lt, 18lt, 23lt fryers PNC 206209
- 2 side covering panels, height 700 mm, depth 900 mm (only for 392386) PNC 206335
- Door for open base cupboard (only for 392386) PNC 206342
- Base support for feet/wheels (lateral) for 23lt fryers and pastacookers and refrigerated bases (900) PNC 206372

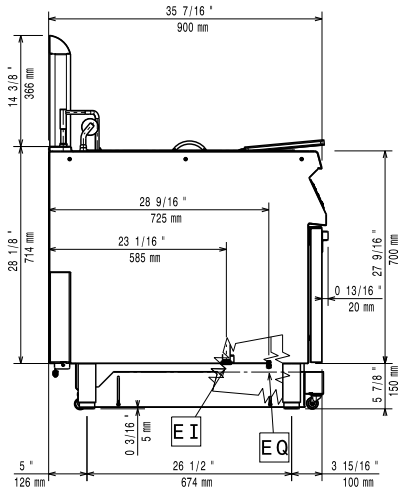
- Rear paneling - 600mm (EVO700/900) (only for PNC 206373 392386)
- Rear paneling - 800mm (EVO700/900) (only for PNC 206374 392386)
- Rear paneling - 1000mm (EVO700/900) (only for 392386) PNC 206375
- Rear paneling - 1200mm (EVO700/900) (only for 392386) PNC 206376
- Sediment collection tray for 23 litres fryer (to be put in the well) - EVO900 PNC 921023
- 2 half size baskets for 18/23lt well fryers PNC 927223
- 1 full size basket for 18/23lt well fryers PNC 927226
- Unclogging rod for 23lt fryers drainage pipe PNC 927227
- Deflector for floured products for the 23lt fryer PNC 960645

Modular Cooking Range Line EVO900 One Well Electric Fryer 23 liter with Electronic control

Front

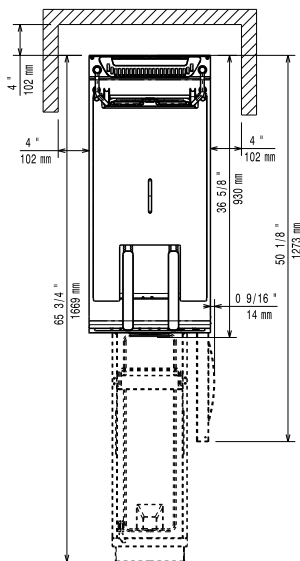


Side



EI = Electrical inlet (power)
EQ = Equipotential screw

Top



Electric

Supply voltage:

392339 (Z9KKHDBAMCG)	380-400 V/3N ph/50/60 Hz
392386 (Z9KKHOBAMCG)	415-430 V/3N ph/50/60 Hz

Total Watts:

392339 (Z9KKHDBAMCG)	18 kW
392386 (Z9KKHOBAMCG)	17.2 kW

Key Information:

Usable well dimensions (width):	340 mm
Usable well dimensions (height):	575 mm
Usable well dimensions (depth):	400 mm
Well capacity:	21 lt MIN; 23 lt MAX

Performance*:

392339 (Z9KKHDBAMCG)	37.6 kg\hr
392386 (Z9KKHOBAMCG)	35.5 kg\hr

Thermostat Range: 110 °C MIN; 190 °C MAX

Net weight: 86 kg

Shipping weight:

392339 (Z9KKHDBAMCG)	87 kg
392386 (Z9KKHOBAMCG)	108 kg

Shipping height: 1480 mm

Shipping width: 460 mm

Shipping depth: 1020 mm

Shipping volume: 0.69 m³

If appliance is set up or next to or against temperature sensitive furniture or similar, a safety gap of approximately 150 mm should be maintained or some form of heat insulation fitted.

*Based on: ASTM F1361-Deep fat fryers

Certification group: EFE91E23