

Modular Cooking Range Line EVO900 4-Burner Gas Range 10kW on Gas Oven

ITEM # _____

MODEL # _____

NAME # _____

SIS # _____

AIA # _____



392260 (Z9GCGHTCGB)

4-burner (10 kW each) gas
range on gas oven (8,5 kW) -
(AGA)

Short Form Specification

Item No. _____

To be installed on stainless steel feet with height adjustment up to 50 mm. High efficiency flower flame burners with continuous power regulation and optimized combustion. Flame failure device as standard on burners to protect against accidental extinguishing. Oven chamber with 3 levels of runners to accommodate 2/1 GN shelves (2 steam pans). Ribbed, cast-iron oven base plate. Exterior panels of unit in stainless steel with Scotch Brite finish. Pan supports in heavy duty stainless steel. Extra strength work top in heavy duty 2 mm stainless steel. Right-angled side edges to allow flush-fitting junction between units.

Main Features

- Gas appliance supplied for use with natural or LPG gas, conversion jets supplied as standard.
- Large sized pan support in cast iron (stainless steel as option) with long center fins to allow the use of the largest down to the smallest pans.
- Flame failure device on each burner protects against gas leakage when accidental extinguishing of the flame occurs.
- Protected pilot light.
- Burners to feature flame regulator.
- Double skinned door with pressed internal panel for heat insulation.
- IPx4 water protection.
- Oven thermostat adjustable from 140 °C to 300 °C.
- Ribbed oven base plate.
- Unit to have stainless steel feet with height adjustment up to 50 mm.
- Pan supports in cast iron are washable in a dishwasher.
- Base compartment consists of an electric standard oven positioned beneath the base plate. Stainless steel oven chamber to have 3 levels of runners to accommodate 2/1 GN shelves (2 steam pans) and ribbed enamelled steel base plate.
- The four 5.5 kW high efficiency flower flame burners allow the flame to adapt to different size pans.

Construction

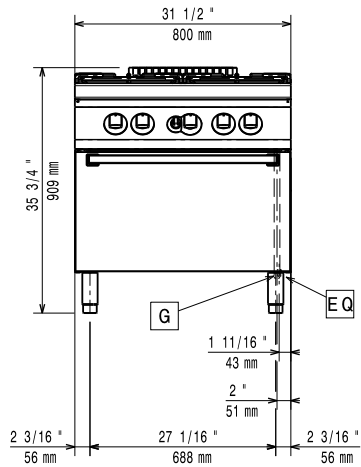
- All exterior panels in Stainless Steel with Scotch Brite finishing.
- Model has right-angled side edges to allow flush fitting joints between units, eliminating gaps and possible dirt traps.
- One piece pressed 1.5 mm work top in Stainless steel.
- Pan supports in stainless steel.

APPROVAL: _____

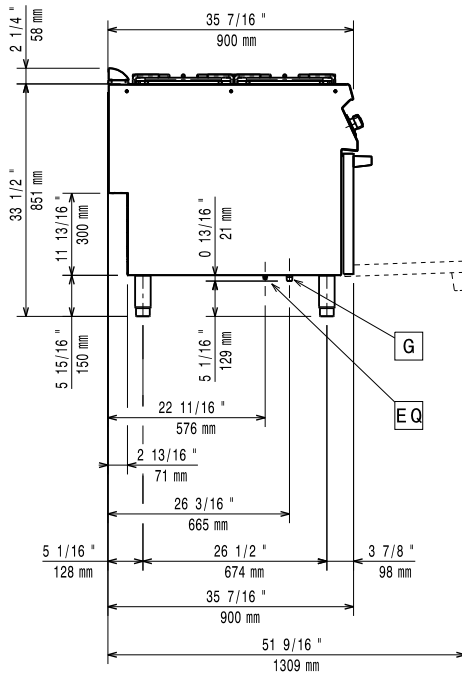
Optional Accessories

- | | | | |
|--|------------|--|------------|
| • GN2/1 chrome grid for static oven | PNC 164250 | • Water column with swivel arm (water column extension not included) | PNC 206289 |
| • Junction sealing kit | PNC 206086 | • Water column extension | PNC 206290 |
| • Draught diverter, 150 mm diameter | PNC 206132 | • Stainless steel grid for 2 burners | PNC 206298 |
| • Matching ring for flue condenser, 150 mm diameter | PNC 206133 | • Chimney upstand, 800 mm | PNC 206304 |
| • 4 wheels, 2 swivelling with brake (EVO700/900). It is mandatory to install with base supports for feet/wheels. | PNC 206135 | • 2 side covering panels, height 700 mm, depth 900 mm | PNC 206335 |
| • Flanged feet kit | PNC 206136 | • Wok pan support for open burners (EVO700/900) | PNC 206363 |
| • Frontal kicking strip for concrete installation, 800 mm | PNC 206148 | • Base support for feet or wheels - 800mm (EVO700/900) | PNC 206367 |
| • Frontal kicking strip for concrete installation, 1000 mm | PNC 206150 | • Base support for feet or wheels - 1200mm (EVO700/EVO900) | PNC 206368 |
| • Frontal kicking strip for concrete installation, 1200 mm | PNC 206151 | • Base support for feet or wheels - 1600mm (EVO700/900) | PNC 206369 |
| • Frontal kicking strip for concrete installation, 1600 mm | PNC 206152 | • Base support for feet or wheels - 2000mm (EVO700/900) | PNC 206370 |
| • Pair of side kicking strips for concrete installation | PNC 206157 | • Rear paneling - 800mm (EVO700/900) | PNC 206374 |
| • Side handrail for right/left hand | PNC 206165 | • Rear paneling - 1000mm (EVO700/900) | PNC 206375 |
| • Frontal handrail 800 mm | PNC 206167 | • Rear paneling - 1200mm (EVO700/900) | PNC 206376 |
| • Single burner ribbed plate for direct cooking - fits frontal burners only | PNC 206172 | • Kit town gas nozzles (G150) for EVO900 gas ranges on gas oven | PNC 206385 |
| • Frontal kicking strip, 800 mm | PNC 206176 | • Chimney grid net, 400mm | PNC 206400 |
| • Frontal kicking strip, 1000 mm | PNC 206177 | • Pressure regulator for gas units | PNC 927225 |
| • Frontal kicking strip, 1200 mm | PNC 206178 | | |
| • Frontal kicking strip, 1600 mm | PNC 206179 | | |
| • Pair of side kicking strips | PNC 206180 | | |
| • 2 panels for service duct (single installation) | PNC 206181 | | |
| • Large handrail (portioning shelf) 800 mm | PNC 206186 | | |
| • Frontal handrail 1200 mm | PNC 206191 | | |
| • Frontal handrail 1600 mm | PNC 206192 | | |
| • 2 panels for service duct (back to back installation) | PNC 206202 | | |
| • Pair of cast iron grids for gas ranges and boiling tops | PNC 206208 | | |
| • 4 feet for concrete installation (not for 900 line freestanding grill) | PNC 206210 | | |
| • Flue condenser for 1 module, 150 mm diameter | PNC 206246 | | |

Front

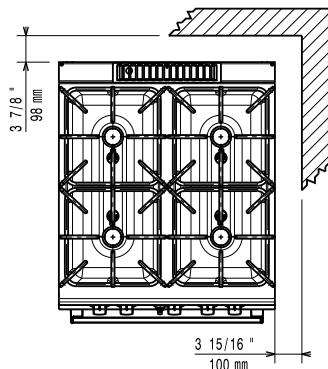


Side



G = Gas connection

Top



Gas

Gas Power:

392260 (Z9GCGHTCGB) 48.5 kW

Standard gas delivery:

Natural Gas G20 (20mbar)

Gas Type Option:

LPG; Natural Gas

Gas Inlet:

1/2"

Key Information:

Front Burners Power:	10 - 10 kW
Back Burners Power:	10 - 10 kW
Back Burners Dimension - mm	Ø 100 Ø 100
Front Burners Dimension - mm	Ø 100 Ø 100
Oven working Temperature:	120 °C MIN; 280 °C MAX
Oven Cavity Dimensions (width):	575 mm
Oven Cavity Dimensions (height):	300 mm
Oven Cavity Dimensions (depth):	700 mm
Net weight:	155 kg
Shipping weight:	140 kg
Shipping height:	1090 mm
Shipping width:	1020 mm
Shipping depth:	900 mm
Shipping volume:	1 m ³

If appliance is set up or next to or against temperature sensitive furniture or similar, a safety gap of approximately 150 mm should be maintained or some form of heat insulation fitted.

Certification group: N9CG