

## Modular Cooking Range Line EVO700 4 Drawer Refrigerated Base (R290)

ITEM # \_\_\_\_\_

MODEL # \_\_\_\_\_

NAME # \_\_\_\_\_

SIS # \_\_\_\_\_

AIA # \_\_\_\_\_



372295 (Z7TTBECOMIN)

Refrigerated base with 4 drawers - R290

### Short Form Specification

**Item No.** \_\_\_\_\_

Refrigerated base with 4 drawers. Built-in refrigerator compressor unit. Operating temperature range from -2°C to 10°C. To be installed below EVO700 top units. To be delivered with 50 mm height adjustable feet. Exterior panels in stainless steel with Scotch Brite finish. Suitable to operate with ambient temperature up to +43°C. Constructed to allow flush-fitting junction between units.

### Main Features

- Unit can be easily installed below other 700 line top models.
- Unit delivered with 50 mm height adjustable feet in Stainless steel.
- Adjustable temperature range from -2 °C to +10 °C to suit meat, fish and dairy storage requirements.
- Anti-tilt runners accept GN 1/1 containers.
- Forced air circulation for rapid cooling and an even temperature distribution.
- Right angled side edges eliminate gaps and possible dirt traps between units.
- Defrosting and automatic evaporation of condense drain: the condense is automatically evaporated thanks to the electric resistance in the condense drain container.
- GN compliant.
- Designed for modular installation into the cooking block.
- CFC and HCFC free (highly ecological refrigerant type: R290).

### Construction

- Exterior panels in Stainless steel with Scotch Brite finish to meet the highest hygiene standards.
- Built-in compressor to suit operating conditions.
- Access to all components from the front.

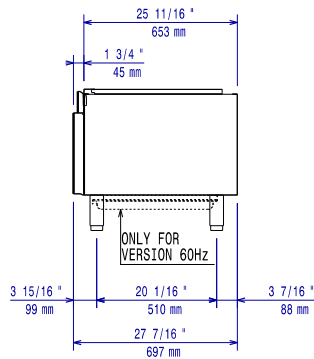
### Optional Accessories

- |  |            |                          |
|--|------------|--------------------------|
| • Flanged feet kit   | PNC 206136 | <input type="checkbox"/> |
| • Frontal kicking strip for concrete installation, 1200 mm               | PNC 206151 | <input type="checkbox"/> |
| • Frontal kicking strip, 1200 mm   | PNC 206178 | <input type="checkbox"/> |
| • 4 feet for concrete installation (not for 900 line freestanding grill) | PNC 206210 | <input type="checkbox"/> |
| • 2 panels for service duct (single installation)                        | PNC 206248 | <input type="checkbox"/> |
| • Pair of side kicking strips  | PNC 206249 | <input type="checkbox"/> |
| • Pair of side kicking strips (concrete installation)                    | PNC 206265 | <input type="checkbox"/> |
| • 2 side covering panels, height 700 mm, depth 700 mm                    | PNC 206319 | <input type="checkbox"/> |
| • 2 drawers for refrigerated base  | PNC 206348 | <input type="checkbox"/> |
| • Base support for feet or wheels - 800mm (EVO700/900)                   | PNC 206367 | <input type="checkbox"/> |
| • Base support for feet or wheels - 1200mm (EVO700/EVO900)               | PNC 206368 | <input type="checkbox"/> |
| • Base support for feet or wheels - 1600mm (EVO700/900)                  | PNC 206369 | <input type="checkbox"/> |
| • BASE SUPP. FOR FEET/WHEELS LATERAL 700MM                               | PNC 206371 | <input type="checkbox"/> |
| • Rear paneling - 1200mm (EVO700/900)                                    | PNC 206376 | <input type="checkbox"/> |
| • Kit 6 wheels - 3 swivelling with brake                                 | PNC 206432 | <input type="checkbox"/> |

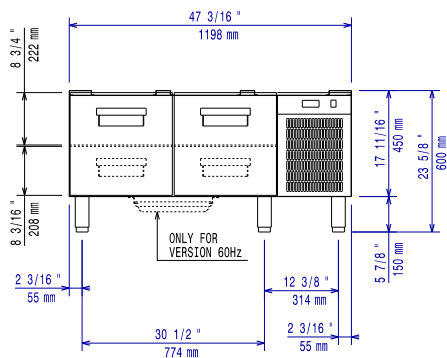
APPROVAL: \_\_\_\_\_

# Modular Cooking Range Line EVO700 4 Drawer Refrigerated Base (R290)

**Front**

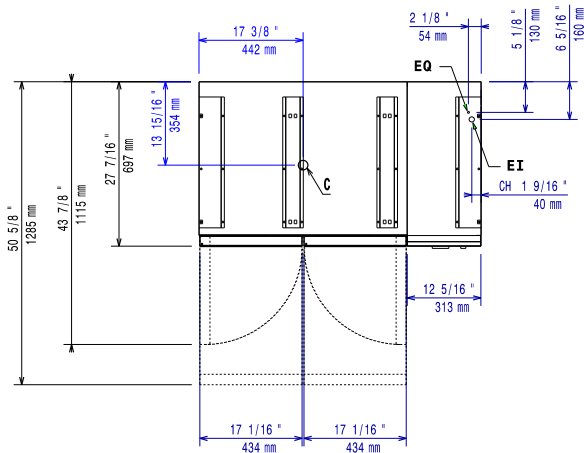


**Side**



**D** = Drain  
**EI** = Electrical inlet (power)

**Top**



## Electric

<b>Supply voltage:</b>	<b>372295 (Z7TTBECOMIN)</b>	230 V/1N ph/50 Hz
<b>Electrical power max.:</b>		0.4 kW
<b>Total Watts:</b>		0.4 kW

## Key Information:

<b>Gross capacity:</b>	152 lt
<b>External dimensions, Width:</b>	1200 mm
<b>External dimensions, Depth:</b>	700 mm
<b>External dimensions, Height:</b>	600 mm
<b>Net weight:</b>	95 kg
<b>Shipping weight:</b>	114 kg
<b>Shipping height:</b>	820 mm
<b>Shipping width:</b>	1300 mm
<b>Shipping depth:</b>	800 mm
<b>Shipping volume:</b>	0.85 m <sup>3</sup>

## Sustainability

<b>Refrigerant type:</b>	R290
<b>Refrigerant weight:</b>	85 g