

Modular Cooking Range Line EVO700 4-Burner Gas Range on Electric Oven, 800mm

ITEM # _____

MODEL # _____

NAME # _____

SIS # _____

AIA # _____



372149 (Z7GCGH4CEA)

4-burner (5,5 kW each) gas
range on electric oven (6 kW)
- Aus

Short Form Specification

Item No. _____

To be installed on stainless steel feet with height adjustment up to 50 mm. High efficiency flower flame burners with flame regulator and protected pilot light. Flame failure device as standard on burners to protect against accidental extinguishing. Stainless steel oven chamber with 3 levels of runners to accommodate 2/1 GN shelves (2 steam pans). Ribbed oven base plate. Exterior panels in stainless steel with Scotch Brite finish. Pan supports in heavy duty cast iron. One piece pressed work top in 1.5 mm thick stainless steel. Right-angled side edges to allow flush-fitting junction between units.

Main Features

- Unit to have stainless steel feet with height adjustment up to 50 mm.
- The four 5.5 kW high efficiency flower flame burners allow the flame to adapt to different size pans.
- Gas appliance supplied for use with natural or LPG gas, conversion jets supplied as standard.
- Large sized pan support in cast iron (stainless steel as option) with long center fins to allow the use of the largest down to the smallest pans.
- Pan supports in cast iron are washable in a dishwasher.
- Burners to feature flame regulator.
- Flame failure device on each burner protects against gas leakage when accidental extinguishing of the flame occurs.
- Protected pilot light.
- Base compartment consists of an electric standard oven positioned beneath the base plate. Stainless steel oven chamber to have 3 levels of runners to accommodate 2/1 GN shelves (2 steam pans) and ribbed enamelled steel base plate.
- Oven thermostat adjustable from 140 °C to 300 °C.
- Double skinned door with pressed internal panel for heat insulation.
- IPX 4 water protection.

Construction

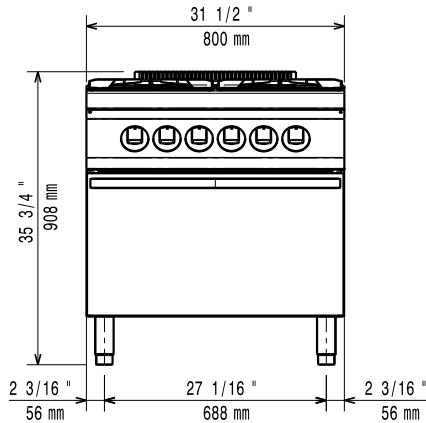
- All exterior panels in Stainless Steel with Scotch Brite finishing.
- One piece pressed 1.5 mm work top in Stainless steel.
- Model has right-angled side edges to allow flush fitting joints between units, eliminating gaps and possible dirt traps.

APPROVAL: _____

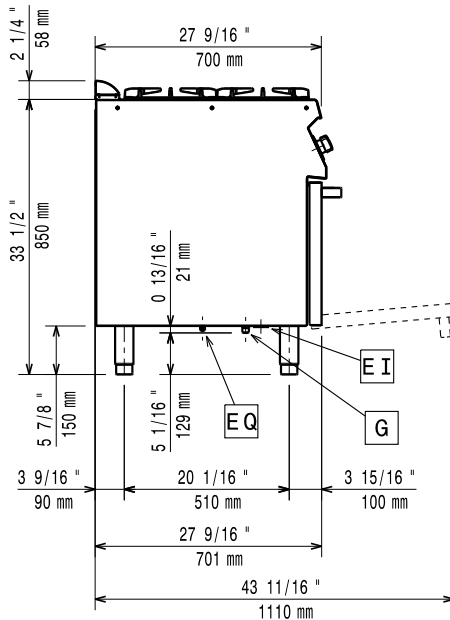
Optional Accessories

- | | | | |
|--|--------------------------|--|--------------------------|
| • Junction sealing kit | PNC 206086 | • Stainless steel grid for 2 burners | PNC 206297 |
| | <input type="checkbox"/> | | <input type="checkbox"/> |
| • Draught diverter, 150 mm diameter | PNC 206132 | • Chimney upstand, 800 mm | PNC 206304 |
| | <input type="checkbox"/> | | <input type="checkbox"/> |
| • Matching ring for flue condenser, 150 mm diameter | PNC 206133 | • 2 side covering panels, height 700 mm, depth 700 mm | PNC 206319 |
| | <input type="checkbox"/> | | <input type="checkbox"/> |
| • 4 wheels, 2 swivelling with brake (EVO700/900). It is mandatory to install with base supports for feet/wheels. | PNC 206135 | • Wok pan support for open burners (EVO700/900) | PNC 206363 |
| | <input type="checkbox"/> | | <input type="checkbox"/> |
| • Flanged feet kit | PNC 206136 | • Base support for feet or wheels - 800mm (EVO700/900) | PNC 206367 |
| | <input type="checkbox"/> | | <input type="checkbox"/> |
| • Frontal kicking strip for concrete installation, 800 mm | PNC 206148 | • Base support for feet or wheels - 1200mm (EVO700/EVO900) | PNC 206368 |
| | <input type="checkbox"/> | | <input type="checkbox"/> |
| • Frontal kicking strip for concrete installation, 1000 mm | PNC 206150 | • Base support for feet or wheels - 1600mm (EVO700/900) | PNC 206369 |
| | <input type="checkbox"/> | | <input type="checkbox"/> |
| • Frontal kicking strip for concrete installation, 1200 mm | PNC 206151 | • Rear paneling - 800mm (EVO700/900) | PNC 206374 |
| | <input type="checkbox"/> | | <input type="checkbox"/> |
| • Frontal kicking strip for concrete installation, 1600 mm | PNC 206152 | • Rear paneling - 1000mm (EVO700/900) | PNC 206375 |
| | <input type="checkbox"/> | | <input type="checkbox"/> |
| • Frontal handrail 800 mm | PNC 206167 | • Rear paneling - 1200mm (EVO700/900) | PNC 206376 |
| | <input type="checkbox"/> | | <input type="checkbox"/> |
| • Frontal kicking strip, 800 mm | PNC 206176 | • Double burner smooth plate for direct cooking | PNC 921684 |
| | <input type="checkbox"/> | | <input type="checkbox"/> |
| • Frontal kicking strip, 1000 mm | PNC 206177 | • Double burner ribbed plate for direct cooking | PNC 921685 |
| | <input type="checkbox"/> | | <input type="checkbox"/> |
| • Frontal kicking strip, 1200 mm | PNC 206178 | | |
| | <input type="checkbox"/> | | |
| • Frontal kicking strip, 1600 mm | PNC 206179 | | |
| | <input type="checkbox"/> | | |
| • Large handrail (portioning shelf) 800 mm | PNC 206186 | | |
| | <input type="checkbox"/> | | |
| • Frontal handrail 1200 mm | PNC 206191 | | |
| | <input type="checkbox"/> | | |
| • Frontal handrail 1600 mm | PNC 206192 | | |
| | <input type="checkbox"/> | | |
| • 4 feet for concrete installation (not for 900 line freestanding grill) | PNC 206210 | | |
| | <input type="checkbox"/> | | |
| • Right and left side handrails | PNC 206240 | | |
| | <input type="checkbox"/> | | |
| • Flue condenser for 1 module, 150 mm diameter | PNC 206246 | | |
| | <input type="checkbox"/> | | |
| • Pair of side kicking strips | PNC 206249 | | |
| | <input type="checkbox"/> | | |
| • Single burner smooth plate for direct cooking - fits frontal burners only | PNC 206260 | | |
| | <input type="checkbox"/> | | |
| • Single burner ribbed plate for direct cooking- fits frontal burners only | PNC 206261 | | |
| | <input type="checkbox"/> | | |
| • Single burner radiant plate for pan support | PNC 206264 | | |
| | <input type="checkbox"/> | | |
| • Pair of side kicking strips (concrete installation) | PNC 206265 | | |
| | <input type="checkbox"/> | | |
| • Water column with swivel arm (water column extension not included) | PNC 206289 | | |
| | <input type="checkbox"/> | | |
| • Water column extension | PNC 206291 | | |
| | <input type="checkbox"/> | | |

Front

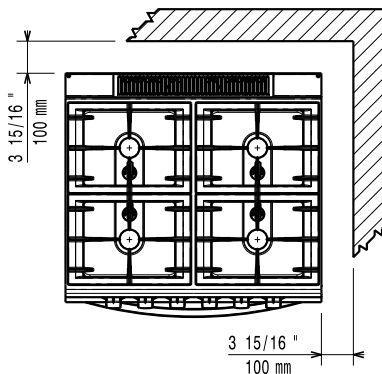


Side



EI = Electrical inlet (power)
G = Gas connection

Top



Electric

Supply voltage:

372149 (Z7GCGH4CEA) 380-400 V/3N ph/50/60 Hz

Gas

Gas Power: 22 kW
Standard gas delivery: Natural Gas G20 (20mbar)
Gas Type Option: LPG;Town
Gas Inlet: 1/2"
Gas Power Option: Btu/hr (0 kW)

Key Information:

Front Burners Power: 5.5 - 5.5 kW
Back Burners Power: 5.5 - 5.5 kW
Back Burners Dimension - mm Ø 60 Ø 60
Front Burners Dimension - mm Ø 60 Ø 60
Oven working Temperature: 140 °C MIN; 300 °C MAX
Oven Cavity Dimensions (width): 540 mm
Oven Cavity Dimensions (height): 300 mm
Oven Cavity Dimensions (depth): 650 mm
External dimensions, Width: 800 mm
External dimensions, Height: 850 mm
External dimensions, Depth: 700 mm
Net weight: 80 kg
[NOT TRANSLATED] N7CG