

**Modular Cooking Range Line
EVO700 Open Base Cupboard
1- 1/2 Module**

ITEM # _____

MODEL # _____

NAME # _____

SIS # _____

AIA # _____



371114 (E7BANL0000)

Open base, 1+1/2 module

Main Features

- Unit can be easily installed below other 700 line top models.
- Unit delivered with 50 mm height adjustable feet in Stainless steel.
- Open base compartment for storage of pots, pans, sheet pans, etc.
- Doors with handles, drawers, heating kits and runners for GN containers can be ordered separately.

Construction

- Constructed in Stainless steel with Scotch Brite finish to meet the highest hygiene standards.

APPROVAL: _____

Optional Accessories

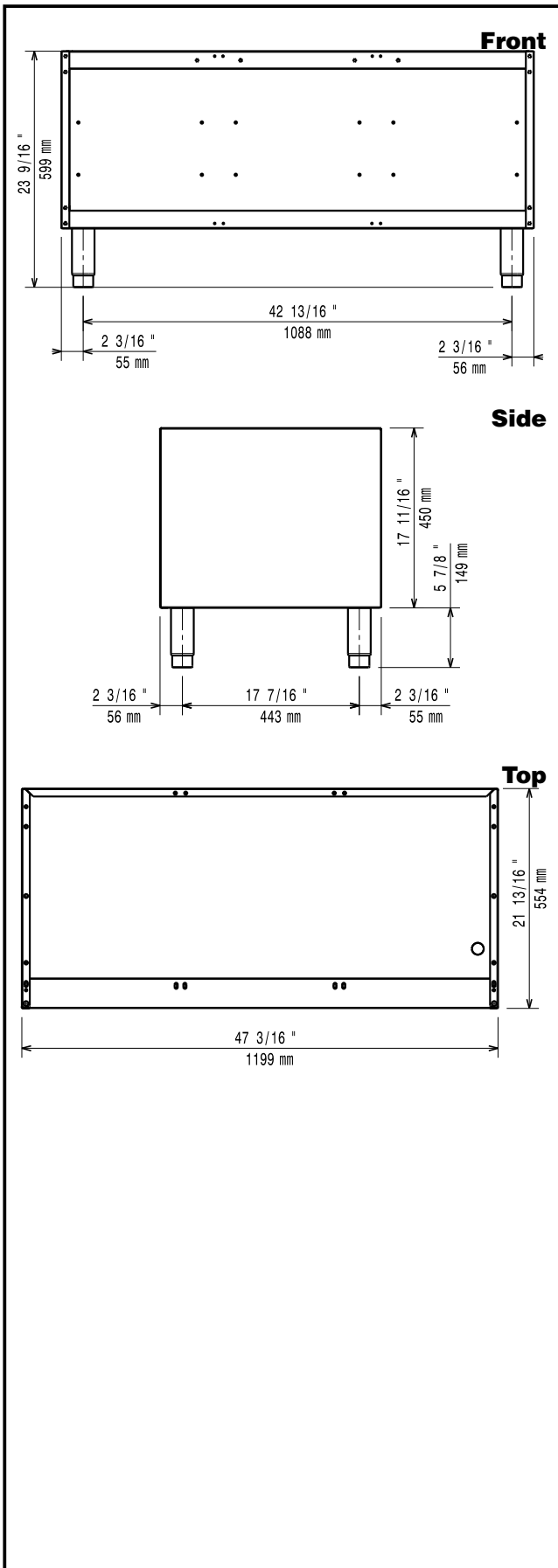
- 4 wheels, 2 swivelling with brake (EVO700/900). It is mandatory to install with base supports for feet/wheels. PNC 206135
- Flanged feet kit PNC 206136
- Frontal kicking strip for concrete installation, 1200 mm PNC 206151
- Frontal kicking strip for concrete installation, 1600 mm PNC 206152
- Frontal kicking strip, 1200 mm PNC 206178
- Frontal kicking strip, 1600 mm PNC 206179
- 4 feet for concrete installation (not for 900 line freestanding grill) PNC 206210
- Central support for installation of drawers and grid supports for open base cupboards PNC 206245
- 2 panels for service duct (single installation) PNC 206248
- Pair of side kicking strips PNC 206249
- 2 supports runners for open base for 4 GN1/1 PNC 206257
- Electric heating kit for cupboards PNC 206259
- Pair of side kicking strips (concrete installation) PNC 206265
- Water column extension PNC 206291
- 2 drawers for open base, height 100 mm PNC 206328
- Door for open base cupboard PNC 206342
- 2 drawers for open base, height 100 mm PNC 206360
- Base support for feet or wheels - 1200mm (EVO700/EVO900) PNC 206368
- Base support for feet or wheels - 1600mm (EVO700/900) PNC 206369
- Base support for feet or wheels - 2000mm (EVO700/900) PNC 206370
- Rear paneling - 1200mm (EVO700/900) PNC 206376



Modular Cooking Range Line EVO700 Open Base Cupboard 1- 1/2 Module

Key Information:

External dimensions, Width: 371114 (E7BANL0000)	1200 mm
External dimensions, Depth:	550 mm
External dimensions, Height:	600 mm
Net weight:	23 kg



Modular Cooking Range Line
EVO700 Open Base Cupboard 1- 1/2 Module

The company reserves the right to make modifications to the products without prior notice. All information correct at time of printing.