



# 800 SERIES RANGES

## 705 mm Gas Oven

### PF428 - Gas

- High performance, even heat 24 Mj cooktop burners for peak productivity
- Constant pilot flame as standard, maximises operating and energy efficiency
- Pilot flame failure on open burners, flame failure to oven burner
- Heavy duty removable, easy clean cast iron trivets
- Stainless steel fascia and sides, spill zone and drip trays for ease of cleaning
- Static gas oven in gastronorm compatible sizes
- Ovens are fully insulated vitreous enamel for even heat and easy cleaning
- Heavy duty welded steel body for rigidity and durability

#### Other options

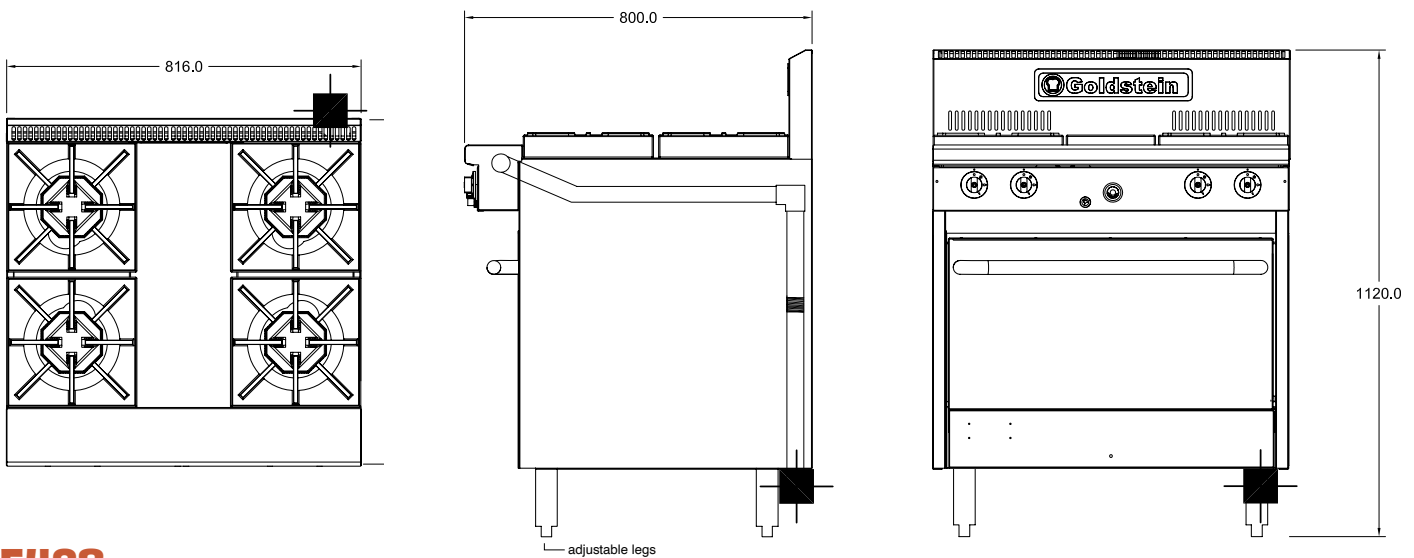
Gas fan forced or convection oven

Electric static, fan forced or convection oven with gas cooktop

Glass door to oven

Castors

Drop-on Griddle, Drop-on Char Grill



3/4" BSP Gas Connection

### PF428

#### SPECIFICATIONS

<b>Dimensions (WxDxH)</b>	816 x 800 x 1120 mm
<b>Working height</b>	914 mm
<b>Oven Size (WxDxH)</b>	705 x 560 x 355 mm
<b>Burners</b>	4

<b>Weight</b>	200 kg
<b>Packed</b>	0.7 m <sup>3</sup>
<b>Gas Connection</b>	3/4" BSP
<b>Rating</b>	126 MJ

Australia's premier food service equipment manufacturer

[middleby.com.au](http://middleby.com.au)

211-217 Woodpark Road, Smithfield NSW 2164  
1800 013 123 | +61 2 9604 7333

**MIDDLEBY AUSTRALIA**

