



# 800 SERIES DOUBLE OVEN RANGE

## 2 off 711 mm Gas Oven

### PF24G6228 - Gas

- High performance, even heat 28 Mj cooktop burners for peak productivity
- Constant pilot flame as standard, maximises operating and energy efficiency
- Heavy duty removable, easy clean cast iron trivets
- Stainless steel fascia and sides, spill zone and drip trays for ease of cleaning
- Flexible modular cooktop design enables many combinations of Burners, Griddle and BBQ
- Static, fan forced or convection oven options in gastronorm compatible sizes
- Ovens are fully insulated vitreous enamel for even heat and easy cleaning
- Heavy duty welded steel body for rigidity and durability

#### Other options

Gas fan forced oven

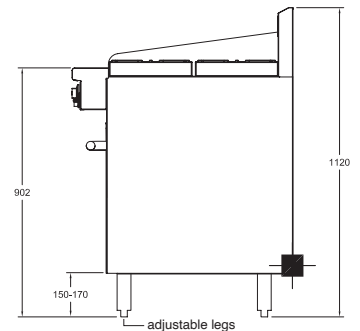
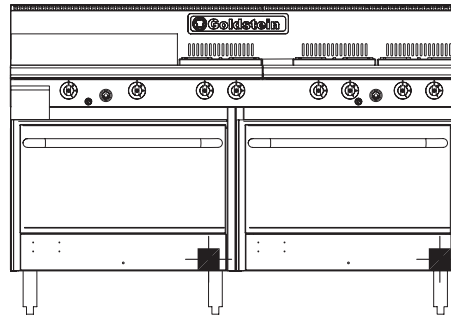
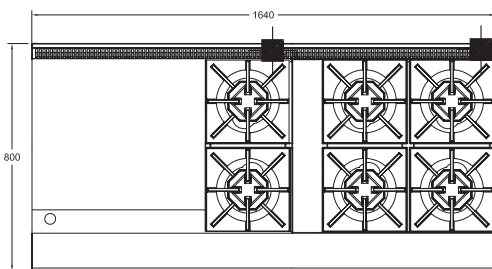
Electric fan forced or convection oven with gas cooktop

Flame failure on open burners

Glass door to oven

Castors

Drop-on Griddle, Drop-on Char Grill



### PF24G6228 oven & griddle options

#### SPECIFICATIONS

<b>Dimensions (WxDxH)</b>	1640 x 800 x 1120 mm
<b>Working height</b>	914 mm
<b>Oven Size (WxDxH)</b>	711 x 560 x 355 mm x 2
<b>Griddle Size (WxH) / Burners</b>	610 x 20 mm / 6

3/4" BSP Gas Connection

<b>Weight</b>	400 kg
<b>Packed</b>	1.5 m <sup>3</sup>
<b>Gas Connection</b>	3/4" BSP
<b>Rating</b>	244 MJ

Australia's premier food service equipment manufacturer

[middleby.com.au](http://middleby.com.au)

211-217 Woodpark Road, Smithfield NSW 2164  
1800 013 123 | +61 2 9604 7333

**MIDDLEBY AUSTRALIA**

