

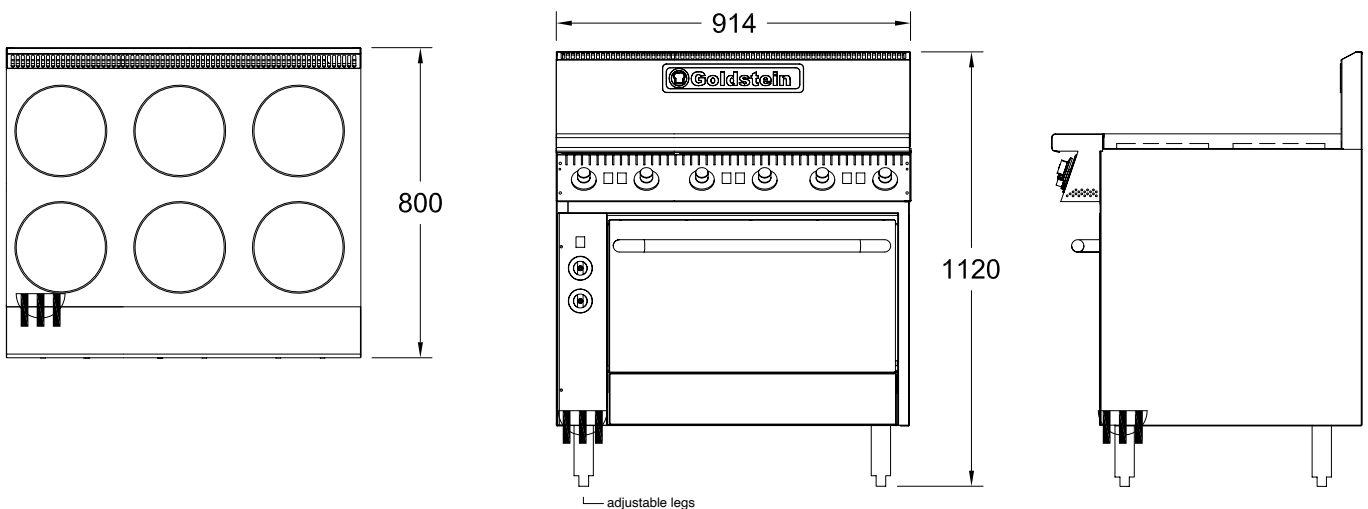


800 SERIES OVEN RANGES

711 mm Static Oven

PE6S28 – Electric

- 2 kW solid hot plates
- Stainless steel fascia and sides
- Ovens are fully insulated vitreous enamel for even heat and easy cleaning
- Heavy duty welded steel body for rigidity and durability



PE6S28

SPECIFICATIONS

Dimensions (WxDxH)	914 x 800 x 1120 mm
Working height	914 mm
Oven Size (WxDxH)	711 x 560 x 355 mm
Solid Plates	6

 3 Phase

Weight	200 kg
Packed	0.5 m ³
Electric Connection	3 phase, 415V + N + E
Rating	19 kW

Australia's premier food service
equipment manufacturer

middleby.com.au

211-217 Woodpark Road, Smithfield NSW 2164
1800 013 123 | +61 2 9604 7333

 **MIDDLEBY AUSTRALIA**

