



# 800 SERIES GRIDDLE PLATE

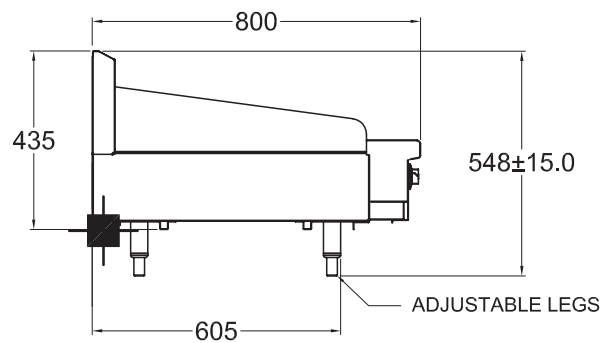
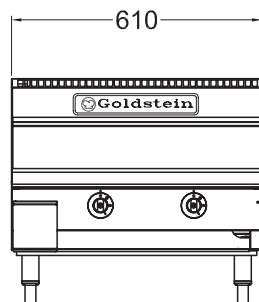
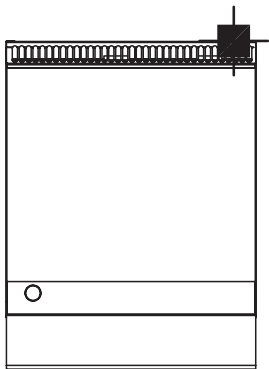
610 mm plate

## GPGDB24 – Gas

- 20 mm thick Mild Steel Plate maximizes greater heat retention for consistent cooking
- Front grease trough, generous chute and catcher
- Stainless Steel fascia and sides, spill zone and grease can for ease of cleaning

### Other options

Machined steel or ribbed plates



## GPGDB24

### SPECIFICATIONS

<b>Dimensions (WxDxH)</b>	610 x 800 x 550 mm
<b>Plate size (WxDxH)</b>	610 x 520 x 20 mm
<b>Gas connection</b>	3/4" BSP

3/4" BSP Gas Connection

<b>Rating</b>	40 Mj
<b>Weight</b>	110 kg
<b>Packed</b>	0.3 m <sup>3</sup>

Australia's premier food service  
equipment manufacturer

[middleby.com.au](http://middleby.com.au)

211-217 Woodpark Road, Smithfield NSW 2164  
1800 013 123 | +61 2 9604 7333

 **MIDDLEBY AUSTRALIA**

