

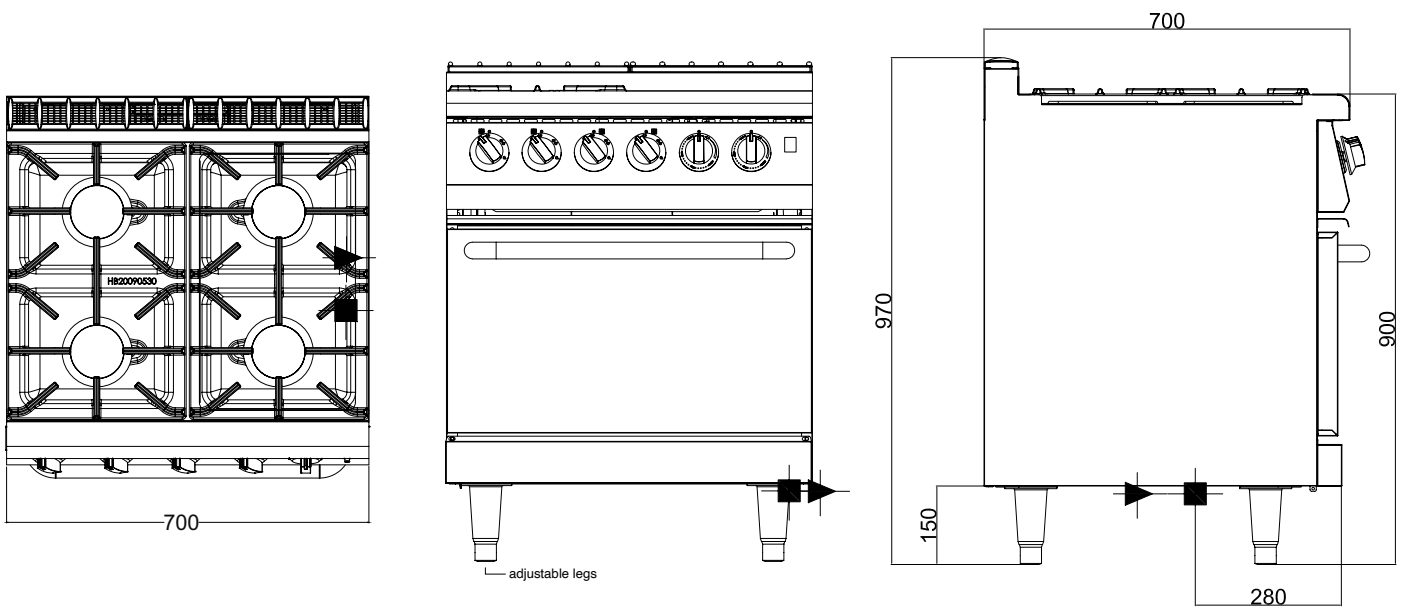


700 SERIES GOURMET RANGE

530 mm Fan Forced Electric Oven

GR/GE710FF - Gas Burners, Electric Oven

- 3x high performance 18.5 MJ burners & 1x 12.9 MJ simmer burner
- Meets NSW Department of Education requirements
- Fully insulated gastronorm compatible oven
- Heavy duty, removable cast iron trivets and stainless steel spill pan
- Flame failure and standing pilots



GR/GE710FF

SPECIFICATIONS

Dimensions (WxDxH)	700 x 700 x 970 mm
Working height	900 mm (±20 mm)
Oven Size (WxDxH)	530 x 500 x 290 mm
Burners	4

Gas Connection	3/4" BSP
Electric Connection	230V / 20 Amp
Rating	68.5 MJ / 4.8 kW
Weight	135 kg
Packed	0.7 m ³

Australia's premier food service
equipment manufacturer

middleby.com.au

211-217 Woodpark Road, Smithfield NSW 2164
1800 013 123 | +61 2 9604 7333

