



Eswood

Professional

Warewasher

ES32

Professional Warewasher



Eswood

Pass-Through Recirculating Warewasher

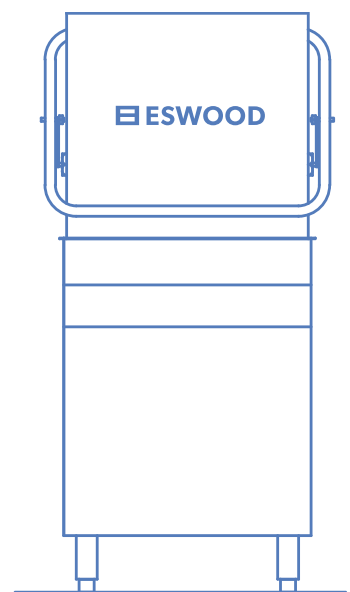
The Eswood ES32 warewasher offer outstanding continuous performance within compact dimensions to satisfy the needs of today's commercial kitchens.

ES32 come with independent upper and lower spray arms for both the wash and rinse systems.

All new digital wash & rinse temperature displays for easy temperature recording in controlled environments.

Detergent and rinse aid pump fitted as standard.

ES32 conforms to the highest of health and sanitary standards, meeting FSANZ safe food codes and certifications in HACCP and WaterMark.





Counter-balanced lift-up hood with ergonomically designed wrap around handle

Durable stainless-steel body construction and wash arms

Automatic fill to wash and rinse tanks

High capacity 540-700 pieces

Digital wash and rinse temperature controllers and displays

Detergent and rinse aid pump as standard

Suitable for corner or inline installation

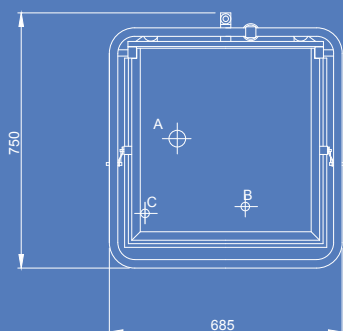
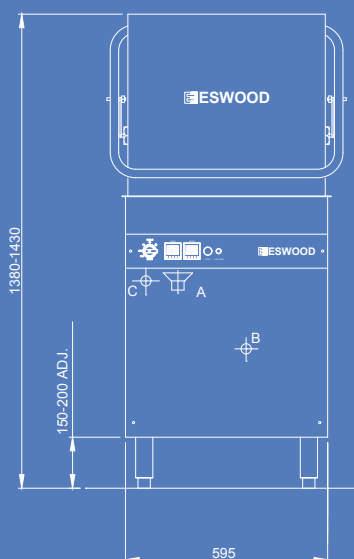
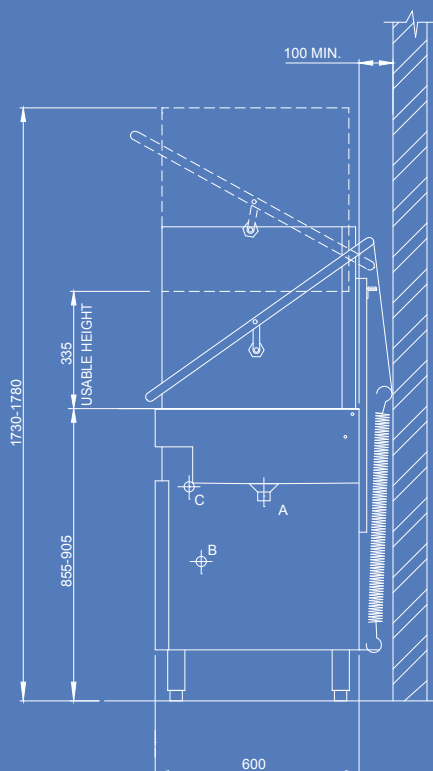
Machine starts upon closure of hood

Easily removable spray arms and filters

Wash and Rinse pump fitted as standard

Operation interlocked to rinse temperature

- A. Drain connection 1 1/2" BSP
 B. Hot water supply inlet 1/2" BSPF (15-58psi / 100-400kPa) 65°C
 C. Electrical Connection 415V/50Hz/3Ph+N+E



ES32

Pass-Through Recirculating Warewasher

Includes: 2 x plate rack, 1 x cup rack,
 1 x cutlery container

ES32 Specifications

DIMENSIONS (WxDxH)	595 x 600 x 1405 mm
HEIGHT WITH DOOR OPEN	1755 mm
RACK SIZE (WxD)	500 x 500 mm
ELECTRIC CONNECTION	3 Phase - 415V + N + E
RATING	9.5 kW
WATER SUPPLY	65°C / 1-4 bar (15-58 psi)
MEAL SERVICE	60 - 130 pax (32 racks/hr)
WASH CYCLE	90 sec 120 sec
WASH AND RINSE PUMP	Fitted
DETERGENT AND RINSE AID PUMP	Fitted
DRAIN PUMP	Optional
WATER CONSUMPTION	3.5L cycle
TANK CAPACITY	30L
WEIGHT	103 kg
PACKED	0.5 m ³
WATERMARK APPROVAL	WM-022833
HACCP APPROVAL	PE-388-GE-09

Dimensions may change without notice in accordance with product development and design

Proudly Distributed By

middleby.com.au

211-217 Woodpark Road SMITHFIELD NSW 2164

T: 1800 013 123

E: sales@middleby.com.au