

## Electric Chip Scuttle 450mm

CSLB8450E



### OVERALL CONSTRUCTION

- Stainless steel drain screen
- Stainless steel pan
- Bull nose welded 1.5mm stainless steel
- Splashback and side panels 1.2mm stainless steel
- 150mm legs in 63mm dia. heavy-duty 1.2mm 304 stainless steel with adjustable feet

### CONTROLS

- On / Off power / heater switch

### CLEANING AND SERVICING

- Easy clean stainless steel exterior
- Lift out drain screen
- All service access from front of unit

- Heavy-duty construction
- Easy clean stainless steel pan
- 1.0kW infrared ceramic heater
- Removable scoop / drain screen
- Stainless steel exterior
- Black vitreous enamel finish to front panels
- Easy service
- Fully modular

### Series Options

FNLB - Low back models

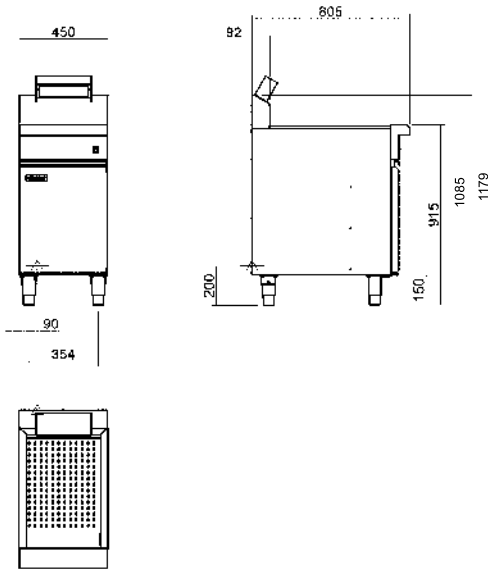
FNB - 215mm splashback option

---

# Waldorf Bold

## Electric Chip Scuttle 450mm

CSLB8450E



### SPECIFICATIONS

#### Heating Element

1 x 1kW ceramic infrared heater

#### Electrical requirements

1kW, 220-240Vac, 50/60hz, 1P+N+E 4.5A

3 pin 10A cordset fitted

#### Electrical connection

90mm from RH side

200mm from floor

#### Dimensions

Width 450mm

Depth 805mm

Height 915mm

Incl. low back 1085mm

Incl. heater 1179mm

#### Nett weight

53kg

#### Packing data

0.58m<sup>3</sup>, 95kg

Width 490mm

Depth 865mm

Height 1350mm

### OPTIONS AT EXTRA COST

Joining caps

Side splash guards

Castors

Plinth mounting

**MOFFAT**

moffat.com.au

moffat.co.nz

### Australia

moffat.com.au

### Moffat Pty Limited

Victoria/Tasmania  
740 Springvale Road  
Mulgrave, Victoria 3170  
Telephone +613-9518 3888  
Facsimile +613-9518 3833  
vsales@moffat.com.au

New South Wales  
Telephone +612-8833 4111  
nswsales@moffat.com.au

South Australia  
Telephone +613-9518 3888  
vsales@moffat.com.au

Queensland  
Telephone +617-3630 8600  
qldsales@moffat.com.au

Western Australia  
Telephone 618-9413 2400  
wasales@moffat.com.au

### New Zealand

moffat.co.nz

### Moffat Limited

Rolleston  
45 Illinois Drive  
Izone Business Hub  
Rolleston 7675  
Telephone +64 3-983 6600  
Facsimile +64 3-983 6600  
sales@moffat.co.nz

Auckland  
Telephone +64 9-574 3150  
sales@moffat.co.nz



ISO9001  
Quality  
Management  
Standard

Designed and manufactured by



ISO9001

All Waldorf Bold products are designed and manufactured by Moffat using the internationally recognised ISO9001 quality management system, covering design, manufacture and final inspection, ensuring consistent high quality at all times.

In line with policy to continually develop and improve its products, Moffat Limited reserves the right to change specifications and design without notice.

© Copyright Moffat Ltd  
AN.WBD.S.02.19

an Ali Group Company



The Spirit of Excellence