

Technical data sheet for

E31D4 ON THE SK2731N STAND

GN 1/1 Digital / Electric Convection Oven
on a Stainless Steel Stand



E31D4

Unit shall be a Moffat electrically heated Turbofan convection oven. The oven shall have a one piece vitreous enamel oven chamber, stainless top and sides and safe touch vented easy clean side hinged door that offers field reversible hinging. Oven shall have capacity for four GN 1/1 pans and include a top grilling oven element and grill operating mode. The oven shall be controlled by an electronic control having separate digital displays and adjusting knobs for time and temperature functions. The oven control shall allow both manual and programmed operating modes and have separate control keys for selection of Grill mode, oven light function and timer operation. The unit shall include a halogen oven lamp. Oven shall be able to be bench mounted on 76mm feet or mounted on oven stand model SK2731N. Oven shall be fitted with a 15A cordset. Unit shall be supplied in 100% recyclable shipping packaging.

SK2731N

Unit shall be a Moffat Turbofan stainless steel oven stand. The stand shall be constructed from stainless steel tube with castors, with front castors having dual swivel and wheel locks. It shall be fitted with 6 tray runners suitable for 600 x 400 trays and GN 1/1 pans. The stand shall be fully compatible with, and support, Turbofan Convection Oven models E27M2, E27M3, E28M4, and E31D4. Unit shall be supplied in 100% recyclable shipping packaging.

STANDARD FEATURES

- 4 Gastronorm GN 1/1 pan capacity
- 80mm tray spacing
- Compact 616mm depth x 810mm width
- 15A plug-in cordset fitted
- Digital display time and temperature controls
- Large easy view 20mm high displays
- Electronic thermostat control
- Electronic timer with countdown or time count modes
- Programmable for up to 20 programs
- Grill mode
- Single direction low-velocity fan
- 2.8kW heating in bake mode / 2kW grill elements
- Safe-Touch vented side hinged door (standard LH hinge). Optional RH hinge (field convertible)
- Stay-Cool door handle
- Vitreous enamel oven chamber
- Plug-in continuous oven door seal
- Halogen oven lamp
- Anti-skid 50mm dia. 76mm high adjustable stainless steel feet
- 4 oven wire racks supplied
- 100% recyclable packaging

ACCESSORIES

- Turbofan SK2731N Oven Stand

E31D4 GN 1/1 Digital / Electric Convection Oven on a Stainless Steel Stand

CONSTRUCTION

Vitreous enamel fully welded oven chamber
Stainless steel front, sides and top exterior
Stainless steel oven fan baffle and oven vent
Removable 4 position chrome plated wire side racks
Oven grids chrome plated wire (4 supplied)
Stainless steel frame side hinged door
5mm thick door outer glass
5mm thick low energy loss door inner glass
Full stainless steel welded door handle
Stainless steel control panel
Aluminised coated steel base and rear panels

CONTROLS

Electronic controls with digital time and temperature display,
Manual or Program modes
Large 20mm high LED displays
Two individual time and temperature setting control knobs
6 function keys
ON/OFF key
Oven Lamp key (toggle or auto-time off mode settings)
Timer Start/Stop key
Grill mode quick select key
Programs select key
Actual temperature display key
Adjustable buzzer/alarm volume
Thermostat range 50-260°C
Timer range from 180 minutes in countdown mode
Timer range up to 999 minutes in time count mode for holding,
slow cooking
Over-temperature safety cut-out

CLEANING

Stainless steel top and sides continuous exterior panel
Vitreous enamel oven chamber
Fully removable chrome plated oven side racks
Removable vitreous enamel oven fan baffle
Easy clean door system with hinge out door inner glass (no
tools required)
Removable plug-in oven door seal (no tools required)
76mm high stainless steel feet for easy access underside

SPECIFICATIONS

Electrical Requirements
230-240V, 50Hz, 1P+N+E, 3.1kW, 12.9A
15A cordset fitted

External Dimensions

Width 810mm
Height 625mm including 76mm feet
Depth 616mm

Oven Internal Dimensions

Width 565mm
Height 425mm
Depth 395mm
Volume 0.09m³

Oven Rack Dimensions

Width 540mm
Depth 370mm

Nett Weight (E31D4)

53.8kg

Packing Data (E31D4)

68.2kg
0.45m³
Width 740mm
Height 720mm
Depth 835mm

SK2731N Stainless Steel Stand

All stainless steel welded frame oven stand for Turbofan
E27, E28 and E31 Series model ovens
6 position tray runners standard
76mm diameter wheel swivel castors standard with
2 front castors with dual swivel and wheel lock
Welded 38mm and 32mm square tube front and rear frames
Welded rack supports/side frames
Top frame oven supports suit Turbofan E27, E28 and E31
Series oven mounting
Supplied CKD for assembly on site

External Dimensions (SK2731N Oven Stand)

Width 810mm
Height 880mm
Depth 650mm

Nett Weight (SK2731N Oven Stand)

19.5kg

Packing Data (SK2731N Oven Stand)

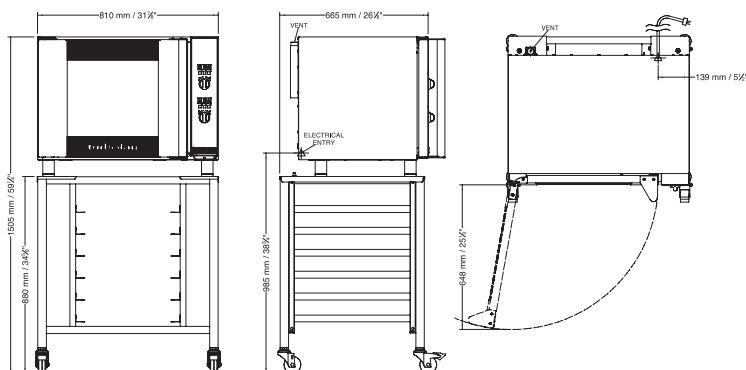
22kg
0.11m³
Width 830mm
Height 900mm
Depth 152mm

INSTALLATION CLEARANCES

Rear 25mm
LH Side 25mm
RH Side 25mm

CLEARANCE FROM SOURCES OF HEAT

A minimum distance of 300mm from the appliance sides
is required



Australia

www.moffat.com.au

New Zealand

www.moffat.co.nz
www.turbofanoven.com

Australia

Moffat Pty Limited

Victoria/Tasmania
740 Springvale Road
Mulgrave, Victoria 3170
Telephone +61 3-9518 3888
Facsimile +61 3-9518 3833
vsales@moffat.com.au

New South Wales

Telephone +61 2-8833 4111
nswsales@moffat.com.au

South Australia

Telephone +61 3-9518 3888
vsales@moffat.com.au

Queensland

Telephone +61 7-3630 8600
qldsales@moffat.com.au

Western Australia

Telephone +61 8-9413 2400
wasales@moffat.com.au

New Zealand

Moffat Limited

Christchurch
45 Illinois Drive
Izone Business Hub
Rolleston 7675
Telephone +64 3-983 6600
Facsimile +64 3-983 6660
sales@moffat.co.nz

Auckland

Telephone +64 9-574 3150
sales@moffat.co.nz



ISO9001
Quality
Management
Standard

Designed and manufactured by



ISO9001

All Turbofan products are designed and
manufactured by Moffat using the
internationally recognised ISO9001
quality management system, covering
design, manufacture and final inspection,
ensuring consistent high quality at all times.

In line with policy to continually develop
and improve its products, Moffat Limited
reserves the right to change specifications
and design without notice.

© Copyright Moffat Ltd
AN.TFN.S.1901

an Ali Group Company



The Spirit of Excellence