

UBH SERIES Upright Ice Storage Bin - up to 812kg

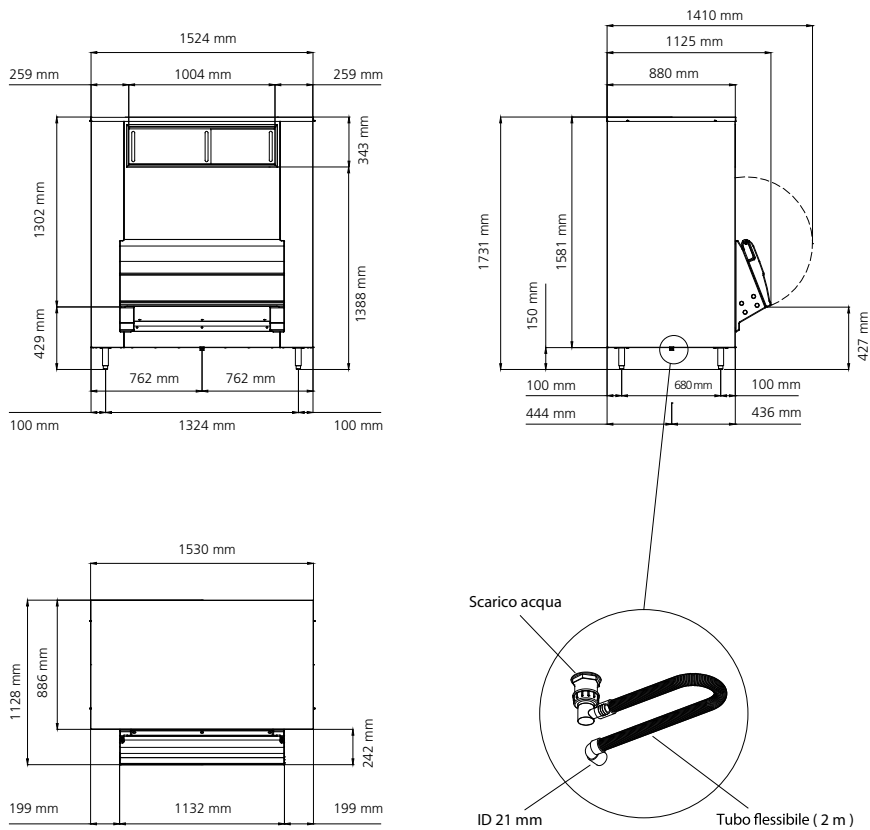
UBH 1600



- Storage capacity up to 812kg
- Ice chute cut-out required upon installation
- Upright, single door ice storage bin
- Stainless steel exterior frame, sides, top, back and bottom
- Pre-cut top pane to accommodate multiple head units
- High density polyethylene insulation, insulated round corners for longer ice storage
- Stainless steel exterior for both storage and frame
- Convenient multi-positioned ice deflector, preventing ice spills
- Single spring loaded bin door for safe usage and tight seal of storage compartment
- High density, non-corroding polyethylene bin liner, round corner designed for ease of cleaning
- Sliding inspection window for visual control and initial paddle operation
- Includes ice paddle, water and drain hose

UBH SERIES Upright Ice Storage Bin - up to 812kg

UBH 1600 – Storage Bin



moffat.com.au

Australia
Moffat Pty Limited
Victoria/Tasmania
740 Springvale Road
Mulgrave, Victoria 3170
Telephone 03-9518 3888
Facsimile 03-9518 3833
vsales@moffat.com.au

New South Wales
Telephone 02-8833 4111
nswsales@moffat.com.au

South Australia
Telephone 03-9518 3888
vsales@moffat.com.au

Queensland
Telephone 07-3630 8600
qldsales@moffat.com.au

Western Australia
Telephone 08-9413 2400
wasales@moffat.com.au

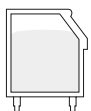
Dimensions

Width: 1524mm
Depth: 1125mm
Height: 1731mm
Nett weight: 206kg
Packed weight: 230g

Ice capacity (application)*
812kg

Ice capacity (AHRI)**
637kg

Internal Volume
1.655m³



* Application capacity is calculated on 90% of total volume x 545 kg/m³



** AHRI capacity is calculated on 80% of total volume x 481 kg/m³

Important Notice:
Models and specifications are subject to change without notice. This spec sheet is meant for commercial purpose only. For technical documentation please refer to our service manuals.



© Copyright Moffat Ltd
AU.SM.1801

an Ali Group Company



The Spirit of Excellence