

Single Pan Electric Multi Pan

JUMP 151 - 150 LITRE



- 150 litre single pan capacity
- 3 x 1/1 GN pan size
- 63dm² cooking surface
- 280mm depth pan
- Multi pan for cooking, frying, braising, grilling, searing, broiling and sous-vide cooking
- Automatic basket lifting
- Automatic water filling system with accuracy of 1 decilitre
- Electromechanical tray tilting at variable speed
- 12" colour touch screen with intuitive controls
- Automatic and manual meal preparation mode with memory for 800 programs with 12 steps
- Multipoint core temperature probe
- Integrated retractable hand shower

Overall Construction

- Base frame with 3mm 304 grade stainless steel
- Frame cover with 304 grade stainless steel
- Tray with 3mm 316 grade stainless steel
- Special sandwich design pan base
- Stainless steel SUPER BLOCK JPX 17 full area heat distribution system
- Robust double insulated cover with automatic lifting function
- Excessive steam exhaust on cover
- Integrated 230V / 16A socket
- Retractable switchboard panel on right pillar allowing integration of multiple pans in a single block

Controls

- Fast base preheating
- Temperature range from 30°C-250°C
- Accurate sensory measurement of temperature
- Liquid level gauge
- Integrated drainage in the tray bottom with automatic closure
- Preset technological procedures

- Automatic extension of baskets - allows operation with cover closed
- Safety sensor for basket arm detection
- Fault messages shown on display
- Water pressure controller
- HACCP recording
- USB port for data backup

Cleaning and Servicing

- Easy clean stainless steel surface
- Easy services access from front and top sides
- Technical and service information on display

Single Pan Electric Multi Pan

JUMP 151 - 150 LITRE

Specifications

Dimensions

Width 1651mm
Depth 850mm
Height 1050mm

Capacity

150 litre

Nett weight

417kg

Packing data

435kg
Width 1765mm
Depth 920mm
Height 1145mm

Electrical rating

415V, 3P+N+E, 50Hz, 50A
Energy consumption: 38.2kW

Water connection requirements

Inlet connection: R 3/4
Water outlet connection: Ø 50

Installation conditions

(for precise installation instructions please refer to our installation manual)



moifat.com.au
moifat.co.nz

Australia

moifat.com.au

Moffat Pty Limited

Victoria/Tasmania
740 Springvale Road
Mulgrave, Victoria 3170
Telephone +613-9518 3888
Facsimile +613-9518 3833
vsales@moifat.com.au

New South Wales
Telephone +612-8833 4111
nswsales@moifat.com.au

South Australia
Telephone +613-9518 3888
vsales@moifat.com.au

Queensland
Telephone +617-3630 8600
qldsales@moifat.com.au

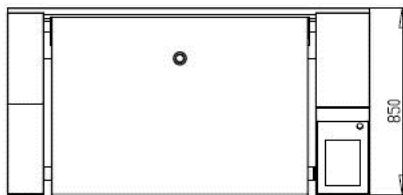
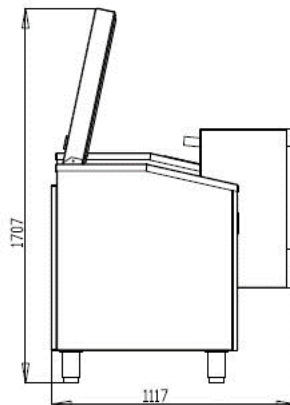
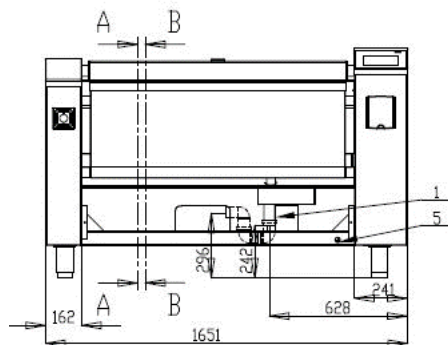
Western Australia
Telephone +618-9413 2400
wasales@moifat.com.au

New Zealand
moifat.co.nz

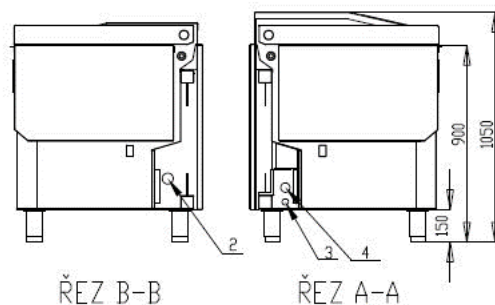
Moffat Limited

Rolleston
45 Illinois Drive
Izone Business Hub
Rolleston 7675
Telephone +64 3-983 6600
Facsimile +64 3-983 6660
sales@moifat.co.nz

Auckland
Telephone +64 9-574 3150
sales@moifat.co.nz



- 1 Drain DN 50
- 2 Water Inlet 3/4"
- 3 Power Connection
- 4 LAN Jack RJ 45
- 5 Equipotential Bonding



Copyright Moffat Ltd.
AN.WJ.2022