

## Target Top Gas / Electric Convection Oven Range 900mm

RNLB8110GEC



- Heavy-duty cast iron top with removable centre ring
- Matched modular height machined top for seamless work surface
- High output dual ring cast iron burner
- GN 2/1 6.6kW electric convection oven
- Drop down door
- Stainless steel exterior
- Black vitreous enamel finish to front panels
- Easy clean
- Easy service
- Fully modular

### OVERALL CONSTRUCTION

- Galvanized steel chassis
- Welded hob with 1.5mm 304 stainless steel bull nose
- Splashback and hob sides 1.2mm 304 stainless steel
- Front panels and oven sides 0.9mm 304 stainless steel
- 150mm legs in 63mm dia. heavy-duty 1.2mm 304 stainless steel with adjustable feet

### TARGET TOP

- 3 piece heavy-duty cast iron top with fully machined surface
- Top plates and removable centre with integral spill protection design
- Cast top reinforced with integral heat fins for heat zone definition
- 45MJ dual ring cast iron burner with single control
- Full pilot and flame failure protection
- 50mm thick refractory brick lined burner box for high heat retention
- Stainless steel spill tray
- Supplied with heavy-duty centre casting removal tool

### OVEN

- Fully welded and vitreous enamelled oven liner
- GN 2/1 capacity with 4 position racking
- Heavy-duty easy remove heavy wire chrome rack supports
- Cast iron even heat oven sole plate
- 6.5kW heating elements
- 100W heavy-duty motor
- 200mm diameter heavy-duty circulation fan
- Welded frame drop down door with heavy-duty spring hinge system
- 0.9mm 304 stainless steel door outer
- 1.0mm press formed vitreous enamelled door inner
- High density fibreglass insulated
- Stay cool stainless steel door handle with cast metal handle mounts
- Supplied with two chrome wire oven racks

### CONTROLS

- Large easy use control knob - heat resistant reinforced
- Easy view control settings on knob

### TARGET TOP

- Variable high to low burner control
- Single control knob for burner and pilot system
- Flame failure pilot burner
- Manual pilot ignition for reliable operation

### OVEN

- 50-320°C thermostatic control
- Indicator lights for power and heating

### CLEANING AND SERVICING

- Removable oven racking and sole plate
- Easy clean vitreous enamel oven and door inner
- Easy clean stainless steel exterior
- Fully serviceable from front of unit
- Door hinge spring adjustable on unit (door outer removed)
- Door disengages for lift off removal and increased service access
- All parts front accessible from installed position

### Series Options

RNLB - Low back models

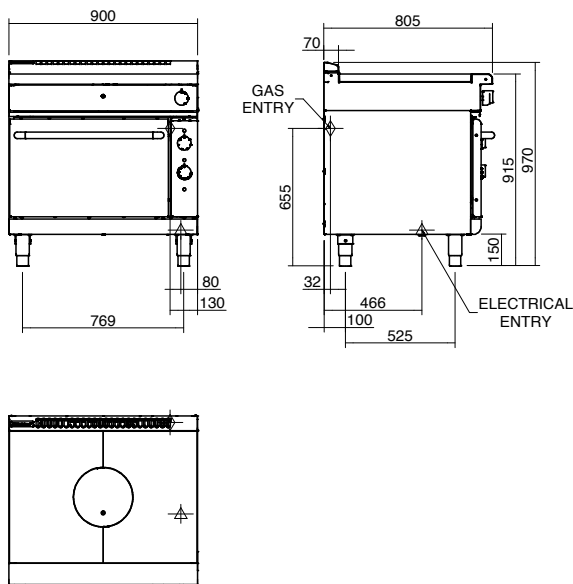
RNB - 215mm splashback option

---

# Waldorf Bold

## Target Top Gas / Electric Convection Oven Range 900mm

RNLB8110GE



### SPECIFICATIONS

#### Burners

45MJ dual ring cast iron - Target Top

#### Oven Elements

4.5kW bottom heat element  
2.0kW top heat element

#### Oven Fan Motor

100W

#### Gas power (gross)

45MJ/hr, 16.2kW

#### Electrical requirements

6.5kW

1 phase connection:

230-240Vac, 50/60hz, 1P+N+E, 27.7A

3 phase connection:

400-415Vac, 50/60hz, 3P+N+E

L1 9.4A

L2 9.4A

L3 9.0A

#### Target Top

Cooking surface 900mm x 625mm, 5625cm<sup>2</sup>

Centre 280mm diameter

Maximum plate temperature at centre 500°C

#### Oven Dimensions

Width 665mm

Depth 590mm

Height 385mm

Rack size 660mm x 540mm

Rack positions 4

#### Gas connection

R ¼ (BSP) male

130mm from RH side, 32mm from rear,  
and 655mm from floor

Optional underside connection (refer  
specification drawing)

All units supplied with Natural and LP gas  
regulator

#### Electrical connection

25mm from RH side, 484mm from rear,  
and 150mm from floor

#### Dimensions

Width 900mm

Depth 805mm

Height 915mm

Incl. low back 970mm

Incl. splashback option 1130mm

#### Nett weight

275kg

#### Packing data

1.03m<sup>3</sup>, 340kg

Width 945mm

Depth 870mm

Height 1255mm

#### Gas types

Available in Natural gas and LP gas

Please specify when ordering

Units supplied complete with gas type  
conversion kits

Other gas types on request

#### OPTIONS AT EXTRA COST

Joining caps

Castors

Plinth mounting

**MOFFAT**

moffat.com.au  
moffat.co.nz

#### Australia

moffat.com.au

#### Moffat Pty Limited

Victoria/Tasmania  
740 Springvale Road  
Mulgrave, Victoria 3170  
Telephone +613-9518 3888  
Facsimile +613-9518 3833  
vsales@moffat.com.au

New South Wales  
Telephone +612-8833 4111  
nswsales@moffat.com.au

South Australia  
Telephone +613-9518 3888  
vsales@moffat.com.au

Queensland  
Telephone +617-3630 8600  
qldsals@moffat.com.au

Western Australia  
Telephone 618-9413 2400  
wasales@moffat.com.au

#### New Zealand

moffat.co.nz

#### Moffat Limited

Rolleston  
45 Illinois Drive  
Izone Business Hub  
Rolleston 7675  
Telephone +64 3-983 6600  
Facsimile +64 3-983 6660  
sales@moffat.co.nz

Auckland  
Telephone +64 9-574 3150  
sales@moffat.co.nz



**ISO9001**  
Quality  
Management  
Standard

Designed and manufactured by



ISO9001

All Waldorf Bold products are designed  
and manufactured by Moffat using the  
internationally recognised ISO9001 quality  
management system, covering design,  
manufacture and final inspection, ensuring  
consistent high quality at all times.

In line with policy to continually develop  
and improve its products, Moffat  
Limited reserves the right to change  
specifications and design without notice.

© Copyright Moffat Ltd  
AN.WBD.S.02.19

an Ali Group Company



The Spirit of Excellence