

## Single Pan Gas Fryer 600mm

FNLB8130G



### OVERALL CONSTRUCTION

- Stainless steel pan with 10 year limited warranty
- Bull nose welded 1.5mm 304 stainless steel
- Splashback 1.5mm 304 stainless steel
- Side panels 1.2mm 304 stainless steel
- Double skin door with 0.9mm 304 stainless exterior
- 32mm (1¼") drain valve
- 150mm legs in 63mm dia. heavy-duty 1.2mm 304 stainless steel with adjustable feet
- 3 baskets and stainless steel lid supplied standard

### CONTROLS

- Direct action thermostat reacts to + or - 1.0°C
- Thermostat range 145 - 195°C
- Over-temperature safety cut-out
- Millivolt gas valve system (no electrical supply)
- Flame failure protection on each pilot
- Piezo ignition to standing pilot burners

### CLEANING AND SERVICING

- Open stainless steel pan for easy clean
- Easy clean basket support bar
- 32mm (1½") drain valve for effective draining
- Easy clean stainless steel exterior
- Access to all parts from front of unit

- High performance single pan fish fryer
- Patented infra-red burner system
- Easy clean stainless steel open pan with 10 year limited warranty
- 31L oil capacity
- 2 large or 3 standard basket capacity
- Large capacity cool zone
- 32mm (1¼") drain valve
- Stainless steel exterior
- Black vitreous enamel finish to front panels
- Easy service
- Fully modular

### Series Options

FNLB - Low back models

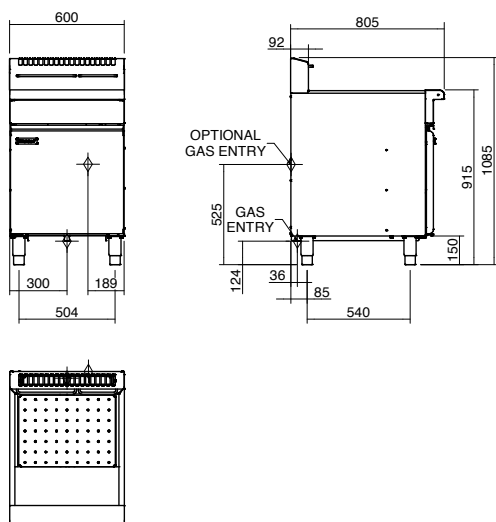
FNB - 215mm splashback option

---

# Waldorf Bold

## Single Pan Gas Fryer 600mm

FNLB8130G



### SPECIFICATIONS

#### Production rate

31kg/hr

#### Pan Size

Oil capacity 31L (46.5lbs shortening)

Width 515mm

Length 380mm

Oil frying depth 95mm

#### Baskets

3 chrome plated wire baskets

140mm W x 335mm D x 145mm H

Optional 2 chrome plated large wire baskets

210mm W x 335mm D x 145mm H

Stainless steel perforated basket support plate

#### Burners

2 x 45MJ/hr infra-red burners

#### Gas power (gross)

90MJ/hr, 25kW

#### Gas connection

R 3/4 (BSP) male

300mm from RH side, 35mm from rear,  
and 125mm from floor

Optional rear connection  
(refer specification drawing)

All units incorporate Natural and LP gas  
regulator

#### Dimensions

Width 600mm

Depth 805mm

Height 915mm

Incl. low back 1085mm

Incl. splashback option 1130mm

#### Nett weight

95kg nett

#### Packing data

0.70m<sup>3</sup>, 143kg

Width 870mm

Depth 645mm

Height 1255mm

#### Gas types

Available in Natural gas and LP gas

Please specify when ordering

Units supplied complete with gas type  
conversion kits

Other gas types on request

#### OPTIONS AT EXTRA COST

Waldorf Filtamax filtration system

Fish plates

Extra standard baskets

Large baskets

Side splash guards

Joining caps

Castors

Plinth mounting

**MOFFAT**

moffat.com.au

moffat.co.nz

#### Australia

moffat.com.au

#### Moffat Pty Limited

Victoria/Tasmania  
740 Springvale Road  
Mulgrave, Victoria 3170  
Telephone +613-9518 3888  
Facsimile +613-9518 3833  
vsales@moffat.com.au

New South Wales  
Telephone +612-8833 4111  
nswsales@moffat.com.au

South Australia  
Telephone +613-9518 3888  
vsales@moffat.com.au

Queensland  
Telephone +617-3630 8600  
qldsales@moffat.com.au

Western Australia  
Telephone 618-9413 2400  
wasales@moffat.com.au

#### New Zealand

moffat.co.nz

#### Moffat Limited

Rolleston  
45 Illinois Drive  
Izone Business Hub  
Rolleston 7675  
Telephone +64 3-983 6600  
Facsimile +64 3-983 6660  
sales@moffat.co.nz

Auckland  
Telephone +64 9-574 3150  
sales@moffat.co.nz



**ISO9001**  
Quality  
Management  
Standard

Designed and manufactured by



ISO9001

All Waldorf Bold products are designed  
and manufactured by Moffat using the  
internationally recognised ISO9001 quality  
management system, covering design,  
manufacture and final inspection, ensuring  
consistent high quality at all times.

In line with policy to continually develop  
and improve its products, Moffat  
Limited reserves the right to change  
specifications and design without notice.

© Copyright Moffat Ltd  
AN.WBD.S.02.19

an Ali Group Company



The Spirit of Excellence