

Electric Chip Scuttle 450mm

CSLB8450E



OVERALL CONSTRUCTION

- Stainless steel drain screen
- Stainless steel pan
- Bull nose welded 1.5mm stainless steel
- Splashback and side panels 1.2mm stainless steel
- 150mm legs in 63mm dia. heavy-duty 1.2mm 304 stainless steel with adjustable feet

CONTROLS

- On / Off power / heater switch

CLEANING AND SERVICING

- Easy clean stainless steel exterior
- Lift out drain screen
- All service access from front of unit

- Heavy-duty construction
- Easy clean stainless steel pan
- 1.0kW infrared ceramic heater
- Removable scoop / drain screen
- Stainless steel exterior
- Black vitreous enamel finish to front panels
- Easy service
- Fully modular

Series Options

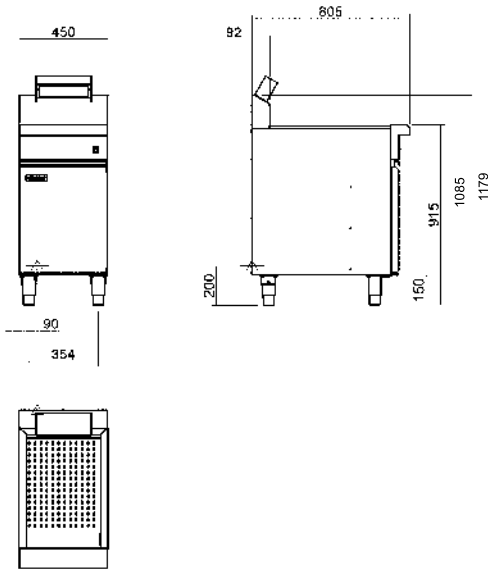
FNLB - Low back models

FNB - 215mm splashback option

Waldorf Bold

Electric Chip Scuttle 450mm

CSLB8450E



SPECIFICATIONS

Heating Element

1 x 1kW ceramic infrared heater

Electrical requirements

1kW, 220-240Vac, 50/60hz, 1P+N+E 4.5A

3 pin 10A cordset fitted

Electrical connection

90mm from RH side

200mm from floor

Dimensions

Width 450mm

Depth 805mm

Height 915mm

Incl. low back 1085mm

Incl. heater 1179mm

Nett weight

53kg

Packing data

0.58m³, 95kg

Width 490mm

Depth 865mm

Height 1350mm

OPTIONS AT EXTRA COST

Joining caps

Side splash guards

Castors

Plinth mounting

MOFFAT

moffat.com.au

moffat.co.nz

Australia

moffat.com.au

Moffat Pty Limited

Victoria/Tasmania
740 Springvale Road
Mulgrave, Victoria 3170
Telephone +613-9518 3888
Facsimile +613-9518 3833
vsales@moffat.com.au

New South Wales
Telephone +612-8833 4111
nswsales@moffat.com.au

South Australia
Telephone +613-9518 3888
vsales@moffat.com.au

Queensland
Telephone +617-3630 8600
qldsales@moffat.com.au

Western Australia
Telephone 618-9413 2400
wasales@moffat.com.au

New Zealand

moffat.co.nz

Moffat Limited

Rolleston
45 Illinois Drive
Izone Business Hub
Rolleston 7675
Telephone +64 3-983 6600
Facsimile +64 3-983 6660
sales@moffat.co.nz

Auckland
Telephone +64 9-574 3150
sales@moffat.co.nz



ISO9001
Quality
Management
Standard

Designed and manufactured by



ISO9001

All Waldorf Bold products are designed and manufactured by Moffat using the internationally recognised ISO9001 quality management system, covering design, manufacture and final inspection, ensuring consistent high quality at all times.

In line with policy to continually develop and improve its products, Moffat Limited reserves the right to change specifications and design without notice.

© Copyright Moffat Ltd
AN.WBD.S.02.19

an Ali Group Company



The Spirit of Excellence