

Technical data sheet for
GAS SALAMANDER
SN8200G



- Powerful infra-red gas burners
- Left and right individual burner controls
- Branding plate option
- Wall mounting bracket
- Removable base for easy cleaning

Overall Construction

- Monocoque construction
- External panels of 0.9mm 304 grade stainless steel
- Stainless steel tray under grilling area with grease trough
- Two individually controlled 15.5 MJ/hr infra-red burners
- Suitable for bench or wall mounting

Racking

- Four position racking (flat or inclined)
- Adjustable chrome wire rack with heat resistant handles

Controls

- Large easy use controls
- Heat resistant reinforced control knobs
- Variable high to low burner control
- Pilot burner with flame failure protection

Cleaning and Servicing

- Access to all parts from front of unit
 - Stainless steel and vitreous porcelain enamel surfaces used throughout
 - Base removable for easy cleaning
-

Technical data sheet for GAS SALAMANDER

Specifications

Burners

2 x 15.5 MJ/hr

Maximum consumption

31.5MJ/hr, 8.75kW

Gas connection

R 1/2 BSP female, 130mm from right side, 25mm from rear

Dimensions

Width 900mm

Depth 424mm

(455mm with wall mounting bracket)

Height 456mm

Cooking area

Rack size 610mm x 310mm, 1890cm²

Branding Plate 610mm x 310mm, 1890cm²

Nett Weight

42kg

Packing data

0.31m³, 69kg

Width 945mm

Depth 520mm

Height 635mm

Gas types

Available in both Natural gas and LP gas

Please specify when ordering

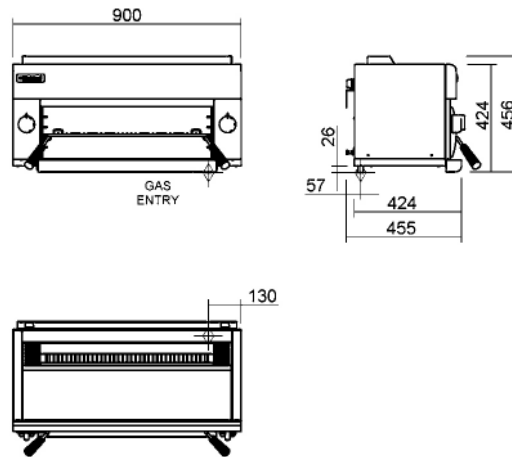
All units are supplied with gas conversion kits

Options at extra cost

100mm high feet for bench mounting

Branding kit - includes one double-sided,

SN8200G



moffat.com.au
moffat.co.nz

Australia
moffat.com.au

Moffat Pty Limited

Victoria/Tasmania
740 Springvale Road
Mulgrave, Victoria 3170
Telephone +613-9518 3888
Facsimile +613-9518 3833
vsales@moffat.com.au

New South Wales
Telephone +612-8833 4111
nswsales@moffat.com.au

South Australia
Telephone +613-9518 3888
vsales@moffat.com.au

Queensland
Telephone +617-3630 8600
qldsales@moffat.com.au

Western Australia
Telephone +618-9413 2400
wasaes@moffat.com.au

New Zealand
moffat.co.nz

Moffat Limited

Rolleston
45 Illinois Drive
Izone Business Hub
Rolleston 7675
Telephone +64 3-983 6600
Facsimile +64 3-983 6660
sales@moffat.co.nz

Auckland
Telephone +64 9-574 3150
sales@moffat.co.nz



ISO9001
Quality
Management
Standard



Cert. No. 4337

In line with policy to continually develop and improve its products, Moffat Limited reserves the right to change specifications and design without notice.

© Copyright Moffat Ltd
AN.W8.08/19

an Ali Group Company



The Spirit of Excellence