

Technical data sheet for

GAS RANGE STATIC OVEN 900mm

RN8610G, RN8613G, RN8616G, RN8619G



RN8610G

- Heavy-duty construction
- 28 MJ/hr open burners
- Flame failure standard
- Pilot burners optional
- 300mm, 600mm, and 900mm griddle plate options
- Optional simmer plates
- GN 2/1 gas static oven
- Drop down door
- Stainless steel exterior
- Easy clean
- Easy service
- Fully modular
- Low back models (RNL) available

Overall Construction

- Galvanized steel chassis
- Welded hob with 1.5mm 304 stainless steel bull nose
- Splashback and hob sides 1.2mm 304 stainless steel
- Front panels and oven sides 0.9mm 304 stainless steel
- 150mm legs in 63mm dia. heavy-duty 1.2mm 304 stainless steel with adjustable feet

COOKTOP

- Cast iron 28MJ/hr open burners with forged brass cap
- Vitreous enamelled cast iron potstands
- Vitreous enamelled open burner spill covers
- Cast iron simmer plates (optional extra)
- 12mm thick mild steel griddle plates
- 2.5mm 304 stainless steel griddle splash guards
- Vitreous enamelled spill trays
- Aluminised steel internal construction

Griddle sections are standard on RH side. Available on LH side or centre to order or by conversion.

OVEN

- Fully welded and vitreous enamelled oven liner
- GN 2/1 capacity with 4 position racking
- Heavy-duty easy remove heavy wire chrome rack supports
- Cast iron even heat oven sole plate
- 30MJ oven burner
- Pilot and flame failure with piezo ignition
- Welded frame drop down door with heavy-duty spring hinge system
- 0.9mm 304 stainless steel door outer
- 1.0mm press formed vitreous enamelled door inner
- High density fibreglass insulated
- Stay cool stainless steel door handle with cast metal handle mounts
- Supplied with two chrome wire oven racks

Controls

- Large easy use control knob - heat resistant reinforced
- Easy view control settings on knob

COOKTOP

- Variable high to low controls to open burners
- Open burners flame failure standard with pilot burners optional
- Variable high to low controls to griddles
- Griddles standard with pilot, flame failure and piezo ignition

OVENS (EACH)

- 80-300°C thermostatic control
- Piezo ignition to pilot burner
- Flame failure

Cleaning and Servicing

- All models with easy clean stainless steel external finish
- Lift off burners heads and vitreous enamelled burner spill covers
- Vitreous enamelled spill trays under open burner and griddle sections
- Bottom sill removable for oven burner and pilot access
- Removable oven racking and sole plate
- Easy clean vitreous enamel oven and door inner
- Door hinge spring adjustable on unit (door outer removed)
- Door disengages for lift off removal and increased service access
- All parts front accessible from installed position
- Access to all parts from front of unit

Technical data sheet for GAS RANGE STATIC OVEN 900mm

Specifications

Burners

Open Burners 28MJ/hr dual flame ring with simmer rate
Griddle Burners 20MJ/hr per 300mm section
Oven 30MJ tubular under cast iron sole plate

Gas power

RN8610G 198 MJ/hr, 55kW
RN8613G 162 MJ/hr, 45kW
RN8616G 126 MJ/hr, 35kW
RN8619G 90 MJ/hr, 25kW

Griddle Plate

300mm Griddle cooking surface
292mm x 475mm, 1387cm²
600mm Griddle cooking surface
592mm x 475mm, 2812cm²
900mm Griddle cooking surface
892mm x 475mm, 4237cm²

Oven Dimensions

Width 665mm
Depth 590mm
Height 385mm
Rack size 660mm x 540mm
Rack positions 4

Gas connection

R 3/4 (BSP) male
130mm from RH side, 32mm from rear,
and 655mm from floor

All units supplied with Natural and LP gas
regulator

DIMENSIONS

Width 900mm
Depth 805mm
Height 915mm
Incl. splashback 1130mm
Incl. low back 970mm

NETT WEIGHT

209kg

PACKING DATA

1.03m³, 274kg
Width 945mm
Depth 870mm
Height 1255mm

GAS TYPES

Available in Natural gas and LP gas
Please specify when ordering

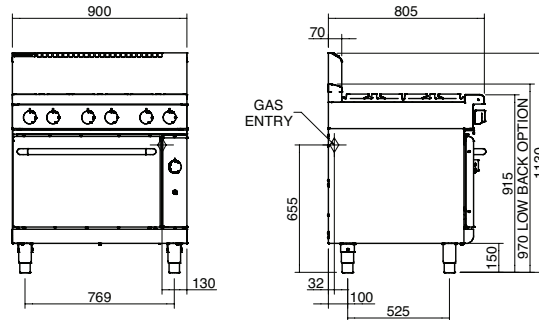
Units supplied complete with gas type conversion
kits

Other gas types on request

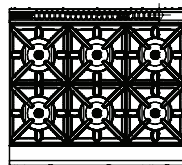
OPTIONS AT EXTRA COST

Simmer plates (replaces Potstand)
Ribbed griddle plates
Joining caps
Castors
Plinth mounting

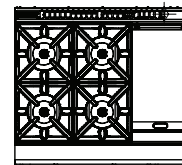
RN8610G, RN8613G, RN8616G, RN8619G



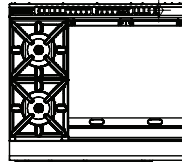
RN8610G



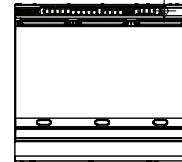
RN8613G



RN8616G



RN8619G



moffat.com.au
moffat.co.nz

Australia

Moffat Pty Limited

Victoria/Tasmania
740 Springvale Road
Mulgrave, Victoria 3170
Telephone +613-9518 3888
Facsimile +613-9518 3833
vsales@moffat.com.au

New South Wales
Telephone +612-8833 4111
nswsales@moffat.com.au

South Australia
Telephone +613-9518 3888
vsales@moffat.com.au

Queensland
Telephone +617-3630 8600
qldsales@moffat.com.au

Western Australia
Telephone +618-9413 2400
wasales@moffat.com.au

New Zealand

Moffat Limited

Rolleston
45 Illinois Drive
Izone Business Hub
Rolleston 7675
Telephone +64 3-983 6600
Facsimile +64 3-983 6660
sales@moffat.co.nz

Auckland
Telephone +64 9-574 3150
sales@moffat.co.nz



Designed and manufactured by



ISO9001
All Waldorf800 products are designed
and manufactured by Moffat using the
internationally recognised ISO9001
quality management system, covering
design, manufacture and final
inspection, ensuring consistent high
quality at all times.

In line with policy to continually develop
and improve its products, Moffat
Limited reserves the right to change
specifications and design without notice.



Cert. No. 6892

© Copyright Moffat Ltd
AN.W8.S.01.19