

Technical data sheet for

# GAS RANGE STATIC OVEN 750mm

RN8510GE, RN8513GE



RN8510GE

- Heavy-duty construction
- 28 MJ/hr open burners
- Flame failure standard
- Pilot burners optional
- 300mm griddle plate options
- Optional simmer plates
- GN 1/1 5.5kW electric static oven
- Drop down door
- Stainless steel exterior
- Easy clean
- Easy service
- Fully modular
- Low back models (RNL) available

## Overall Construction

- Galvanized steel chassis
- Welded hob with 1.5mm 304 stainless steel bull nose
- Splashback and hob sides 1.2mm 304 stainless steel
- Front panels and oven sides 0.9mm 304 stainless steel
- 150mm legs in 63mm dia. heavy-duty 1.2mm 304 stainless steel with adjustable feet

## COOKTOP

- Cast iron 28MJ/hr open burners with forged brass cap
- Vitreous enamelled cast iron potstands
- Vitreous enamelled open burner spill covers
- Cast iron simmer plates (optional extra)
- 12mm thick mild steel griddle plates
- 2.5mm 304 stainless steel griddle splash guards
- Vitreous enamelled spill trays
- Aluminised steel internal construction

Griddle sections are standard on RH side. Available on LH side to order or by conversion.

## OVEN

- Fully welded and vitreous enamelled oven liner
- GN 1/1 capacity with 4 position racking
- Heavy-duty easy remove heavy wire chrome rack supports
- Cast iron even heat oven sole plate
- 5.5kW heating elements
- Welded frame drop down door with heavy-duty spring hinge system
- 0.9mm 304 stainless steel door outer
- 1.0mm press formed vitreous enamelled door inner
- High density fibreglass insulated
- Stay cool stainless steel door handle with cast metal handle mounts
- Supplied with two chrome wire oven racks

## Controls

- Large easy use control knob - heat resistant reinforced
- Easy view control settings on knob

## COOKTOP

- Variable high to low controls to open burners
- Open burners flame failure standard with pilot burners optional
- Variable high to low controls to griddles
- Griddles standard with pilot, flame failure and piezo ignition

## OVEN

- Separate temperature and top heat power regulation controls
- 50-320°C thermostatic control
- Lo-Hi top heat control
- Indicator lights for power and heating

## Cleaning and Servicing

- All models with easy clean stainless steel external finish
- Lift off burners heads and vitreous enamelled burner spill covers
- Vitreous enamelled spill trays under open burner and griddle sections
- Removable oven racking and sole plate
- Easy clean vitreous enamel oven and door inner
- Door hinge spring adjustable on unit (door outer removed)
- Door disengages for lift off removal and increased service access
- Access to all parts from front of unit

# Technical data sheet for GAS RANGE STATIC OVEN 750mm

## Specifications

### Burners

Open Burners 28MJ/hr dual flame ring with simmer rate  
Griddle Burners 20MJ/hr per 300mm section

### Oven Elements

3.75kW bottom heat element  
1.75kW top heat element

### Gas power

RN8510GE 112 MJ/hr, 31.1kW  
RN8513GE 76 MJ/hr, 21.1kW

### Electrical requirements

5.5kW

### 1 phase connection:

230-240Vac, 50/60hz, 1P+N+E, 23A

### 3 phase connection:

400-415Vac, 50/60hz, 3P+N+E

L1 7.8A

L2 7.8A

L3 7.3A

### Griddle Plate

300mm Griddle cooking surface  
292mm x 475mm, 1387cm<sup>2</sup>

### Oven Dimensions

Width 500mm

Depth 590mm

Height 385mm

Rack size 495mm x 540mm

Rack positions 4

### Gas connection

R <sup>3</sup>/<sub>4</sub> (BSP) male  
130mm from RH side, 35mm from rear,  
and 655mm from floor

All units supplied with Natural and LP gas regulator

### Electrical connection

25mm from RH side, 484mm from rear,  
and 150mm from floor

### DIMENSIONS

Width 750mm

Depth 805mm

Height 915mm

Incl. splashback 1130mm

Incl. low back 970mm

### NETT WEIGHT

182kg

### PACKING DATA

0.87m<sup>3</sup>, 240kg

Width 795mm

Depth 870mm

Height 1255mm

### GAS TYPES

Available in Natural gas and LP gas

Please specify when ordering

Units supplied complete with gas type conversion kits

Other gas types on request

### OPTIONS AT EXTRA COST

Simmer plates (replaces Potstand)

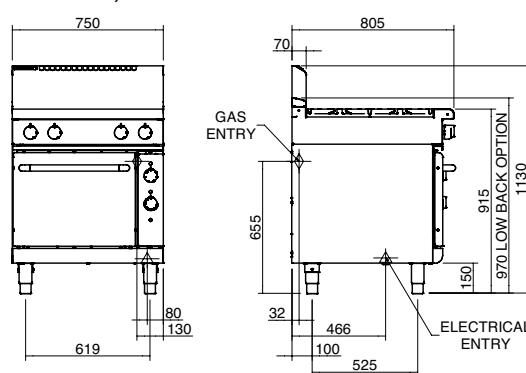
Ribbed griddle plates

Joining caps

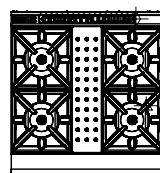
Castors

Plinth mounting

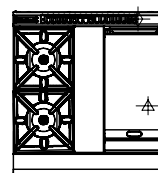
RN8510GE, RN8513GE



RN8510GE



RN8513GE



[moffat.com.au](http://moffat.com.au)  
[moffat.co.nz](http://moffat.co.nz)

Australia  
[moffat.com.au](http://moffat.com.au)

### Moffat Pty Limited

Victoria/Tasmania  
740 Springvale Road  
Mulgrave, Victoria 3170  
Telephone +613-9518 3888  
Facsimile +613-9518 3833  
[vsales@moffat.com.au](mailto:vsales@moffat.com.au)

New South Wales  
Telephone +612-8833 4111  
[nswsales@moffat.com.au](mailto:nswsales@moffat.com.au)

South Australia  
Telephone +613-9518 3888  
[vsales@moffat.com.au](mailto:vsales@moffat.com.au)

Queensland  
Telephone +617-3630 8600  
[qldsales@moffat.com.au](mailto:qldsales@moffat.com.au)

Western Australia  
Telephone +618-9413 2400  
[wasaales@moffat.com.au](mailto:wasaales@moffat.com.au)

### New Zealand

[moffat.co.nz](http://moffat.co.nz)

### Moffat Limited

Rolleston  
45 Illinois Drive  
Izone Business Hub  
Rolleston 7675  
Telephone +64 3-983 6600  
Facsimile +64 3-983 6660  
[sales@moffat.co.nz](mailto:sales@moffat.co.nz)

Auckland  
Telephone +64 9-574 3150  
[sales@moffat.co.nz](mailto:sales@moffat.co.nz)



Cert. No. 6892

In line with policy to continually develop and improve its products, Moffat Limited reserves the right to change specifications and design without notice.

© Copyright Moffat Ltd  
AN.W8.08/19