

Technical data sheet for

GAS COOKTOPS 300mm

RN8200G-B , RN8203G-B



RN8200G-B

- Heavy-duty construction
- 28 MJ/hr open burners
- Flame failure standard
- Pilot burners optional
- 300mm griddle plate option
- Optional simmer plates
- Stainless steel exterior
- Easy clean
- Easy service
- Fully modular
- Low back models (RNL) available

Overall Construction

COOKTOP

- Welded hob with 1.5mm 304 stainless steel bull nose
- Splashback and side panels 1.2mm 304 stainless steel
- Front panels 0.9mm 304 stainless steel
- Aluminised steel internal construction
- Cast iron 28MJ/hr open burners with forged brass cap
- Vitreous enamelled cast iron potstands
- Vitreous enamelled open burner spill cover
- Cast iron simmer plates (optional extra)
- 12mm thick mild steel griddle plate
- 2.5mm 304 stainless steel griddle splash guards
- Vitreous enamelled spill trays

BENCH MOUNT (SUPPLIED AS -B MODEL)

- Four 63mm dia. heavy-duty 1.2mm 304 stainless steel bench legs with adjustable feet.
- Adjustable height 80mm – 105mm

Controls

- Variable high to low controls to open burners
- Open burners flame failure standard with pilot burners optional
- Variable high to low controls to griddles
- Griddles standard with pilot, flame failure and piezo ignition
- Large easy use control knob - heat resistant reinforced
- Easy view control settings on knob

Cleaning and Servicing

- All models with easy clean stainless steel external finish
 - Lift off burners heads and vitreous enamelled burner spill covers
 - Vitreous enamelled spill trays under open burner and griddle section
 - Access to all parts from front of unit
-

Technical data sheet for GAS COOKTOPS 300mm



Specifications

Burners

Open Burners 28MJ/hr dual flame ring with simmer rate

Griddle Burners 20MJ/hr

Gas power

RN8200G 56 MJ/hr, 15.5kW

RN8203G 20 MJ/hr, 5.5kW

Griddle Plate

300mm Griddle cooking surface

292mm x 475mm, 1387cm²

Gas connection

R 1/2 (BSP) male

100mm from RH side, 32mm from rear,

and 70mm from floor

All units supplied with Natural and LP gas regulator

DIMENSIONS

Width 300mm

Depth 805mm

Height 315mm

Incl. splashback 530mm

Incl. low back 370mm

NETT WEIGHT

47kg

PACKING DATA

0.20m³, 70kg

Width 870mm

Depth 350mm

Height 665mm

GAS TYPES

Available in Natural gas and LP gas

Please specify when ordering

Units supplied complete with gas type

conversion kits

Other gas types on request

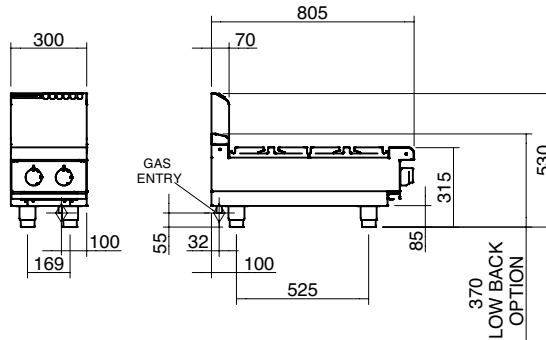
OPTIONS AT EXTRA COST

Simmer plates (replaces Potstand)

Ribbed griddle plates

Joining caps

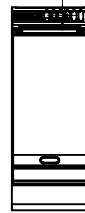
RN8200G-B, RN8203G-B



RN8200G-B



RN8203G-B



moffat.com.au
moffat.co.nz

Australia
moffat.com.au

Moffat Pty Limited

Victoria/Tasmania
740 Springvale Road
Mulgrave, Victoria 3170
Telephone +613-9518 3888
Facsimile +613-9518 3833
vsales@moffat.com.au

New South Wales
Telephone +612-8833 4111
nswsales@moffat.com.au

South Australia
Telephone +613-9518 3888
vsales@moffat.com.au

Queensland
Telephone +617-3630 8600
qldsales@moffat.com.au

Western Australia
Telephone +618-9413 2400
wasaales@moffat.com.au

New Zealand

moffat.co.nz

Moffat Limited

Rolleston
45 Illinois Drive
Izone Business Hub
Rolleston 7675
Telephone +64 3-983 6600
Facsimile +64 3-983 6660
sales@moffat.co.nz

Auckland
Telephone +64 9-574 3150
sales@moffat.co.nz



Cert. No. 6902

In line with policy to continually develop and improve its products, Moffat Limited reserves the right to change specifications and design without notice.

© Copyright Moffat Ltd
AN.W8.08/19

an Ali Group Company



The Spirit of Excellence