

Technical data sheet for

# GAS GRIDDLE ELECTRIC CONVECTION OVEN RANGE 1200mm

GP8121GEC



- Heavy-duty thermostatic gas griddle
- 20mm thick griddle plate
- Ribbed plate options
- Chromed mirror plate options
- Top weld sealed plates
- 31kW thermostatic griddle burner system
- Separate left, centre, and right heat zones
- GN 2/1 6.6kW electric convection oven
- Drop down door
- Storage cabinet on RH side
- Stainless steel exterior
- Easy clean
- Easy service
- Fully modular
- Low back model (GPL) available

## Overall Construction

- Galvanized steel chassis
- Welded hob with 1.5mm 304 stainless steel bull nose
- Splashback and hob sides 1.2mm 304 stainless steel
- Front panels and oven sides 0.9mm 304 stainless steel
- Full 0.9mm stainless steel storage cabinet on right hand side
- 150mm legs in 63mm dia. heavy-duty 1.2mm 304 stainless steel with adjustable feet

### GRIDDLE

- 20mm thick machined top plates standard
- Optional ribbed plate sections
- Optional mirror finish hard chrome plates
- 2.5mm thick 304 stainless steel splash guards sides and rear
- 2.0mm thick grease channel
- Three 10.3kW 3 bar even heat burners with three thermostatic controls
- Full pilot and flame failure protection with piezo ignition
- Stainless steel grease drawer
- Overlapping finish at front and rear of plate for easy clean

### OVEN

- Fully welded and vitreous enamelled oven liner
- GN 2/1 capacity with 4 position racking
- Heavy-duty easy remove heavy wire chrome rack supports
- Cast iron even heat oven sole plate
- 6.5kW heating elements
- 100W heavy-duty motor
- 200mm diameter heavy-duty circulation fan
- Welded frame drop down door with heavy-duty spring hinge system
- 0.9mm 304 stainless steel door outer
- 1.0mm press formed vitreous enamelled door inner
- High density fibreglass insulated
- Stay cool stainless steel door handle with cast metal handle mounts
- Supplied with two chrome wire oven racks

## Controls

- Large easy use control knob - heat resistant reinforced
- Easy view control settings on knob

### GRIDDLE

- Separate left, centre and right side heat zones
- Three 90-300°C thermostats
- Flame failure pilot burners
- Piezo ignition to each pilot burner

### OVEN

- Separate temperature and top heat power regulation controls
- 50-320°C thermostatic control
- Lo-Hi top heat control
- Indicator lights for power and heating

## Cleaning and Servicing

- All models with easy clean stainless steel external finish
- Plate is finished front and rear with overlap construction to remove cleaning traps
- Control service and gas conversion through front of unit
- Burner service requires plate removal
- Removable oven racking and sole plate
- Easy clean vitreous enamel oven and door inner
- Door hinge spring adjustable on unit (door outer removed)
- Door disengages for lift off removal and increased service access
- Access to all parts from front of unit

Technical data sheet for

# GAS GRIDDLE ELECTRIC CONVECTION OVEN RANGE 1200mm

GP8121GEC

## Specifications

### Burners

Three 10.3kW 3 bar chromed steel burners  
- Griddle

Individual pilot, flame failure and piezo ignition

### Oven Elements

4.5kW bottom heat element  
2.0kW top heat element

### Oven Fan Motor

100W

### Gas power

31kW, 105,700 Btu/hr

### Electrical requirements

6.6kW

### 1 phase connection:

230-240Vac, 50/60hz, 1P+N+E, 27.7A

### 3 phase connection:

400-415Vac, 50/60hz, 3P+N+E

L1 9.4A

L2 9.4A

L3 9.0A

### Plate

Cooking surface 1192mm x 530mm, 6318cm<sup>2</sup>

### Oven Dimensions

Width 665mm

Depth 590mm

Height 385mm

Rack size 660mm x 540mm

Rack positions 4

### Gas connection

R <sup>3</sup>/<sub>4</sub> (BSP) male

130mm from RH side, 32mm from rear,  
and 655mm from floor

Optional underside connection  
(refer specification drawing)

All units supplied with Natural and LP gas  
regulator

### Electrical connection

369mm from RH side, 484mm from rear, and  
150mm from floor

### DIMENSIONS

Width 1200mm

Depth 805mm

Height 915mm

Incl. low back 970mm

Incl. splashback option 1130mm

### NETT WEIGHT

220kg

### PACKING DATA

1.36m<sup>3</sup>, 300kg

Width 1245mm

Depth 870mm

Height 1255mm

### GAS TYPES

Available in Natural gas and LP gas

Please specify when ordering

Units supplied complete with gas type  
conversion kits

Other gas types on request

### OPTIONS AT EXTRA COST

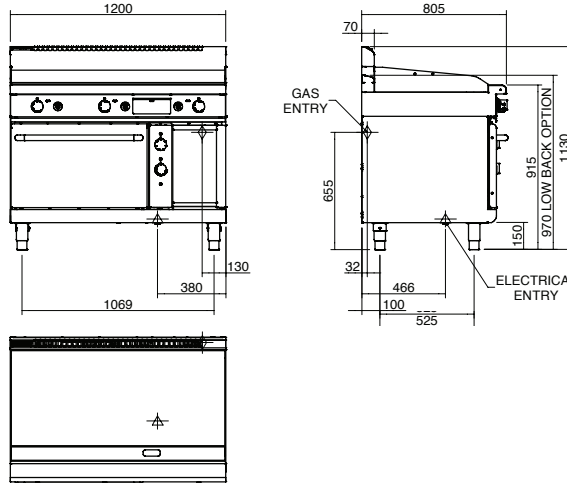
Joining caps

Castors

Plinth mounting

Ribbed plate options

Chrome plate options



moffat.com.au

moffat.co.nz

### Australia

#### Moffat Pty Limited

Victoria/Tasmania  
740 Springvale Road  
Mulgrave, Victoria 3170  
Telephone +613-9518 3888  
Facsimile +613-9518 3833  
vsales@moffat.com.au

New South Wales  
Telephone +612-8833 4111  
nswsales@moffat.com.au

South Australia  
Telephone +613-9518 3888  
vsales@moffat.com.au

Queensland  
Telephone +617-3630 8600  
qldsales@moffat.com.au

Western Australia  
Telephone +618-9413 2400  
wasales@moffat.com.au

### New Zealand

#### Moffat Limited

Rolleston  
45 Illinois Drive  
Izone Business Hub  
Rolleston 7675  
Telephone +64 3-983 6600  
Facsimile +64 3-983 6660  
sales@moffat.co.nz

Auckland  
Telephone +64 9-574 3150  
sales@moffat.co.nz



Designed and manufactured by



ISO9001

All Waldorf800 products are designed  
and manufactured by Moffat using the  
internationally recognised ISO9001  
quality management system, covering  
design, manufacture and final  
inspection, ensuring consistent high  
quality at all times.

In line with policy to continually develop  
and improve its products, Moffat  
Limited reserves the right to change  
specifications and design without notice.



Cert. No. 7088

© Copyright Moffat Ltd  
AN.W8.S.01.19

an Ali Group Company



The Spirit of Excellence