

Technical data sheet for

GAS TILTING BRATT PAN 1200mm

BP8120G, BP8120GE



BP8120G

- 120L full stainless steel pan
- Manually operated tilting mechanism
- Optional electric power tilting mechanism
- Heavy-duty lid and hinge system
- Galvanized steel chassis
- Stainless steel exterior
- Easy clean
- Easy service
- Fully modular
- Low back models (BPL) available

Overall Construction

- Heavy-duty galvanized steel chassis
- Splashback and side panels 1.2mm 304 stainless steel
- Front panels 0.9mm 304 stainless steel
- Full stainless steel pan with 2.0mm pan body
- 12mm thick stainless steel even heat pan base
- Large capacity pouring spout
- Heavy-duty spring balanced lid hinge system
- 1.5mm 304 stainless steel lid suitable as bench-top workspace
- Full width stainless steel lid handle
- Manually operated pan lift handwheel with fold-away handle
- Electrically powered pan tilting option
- 63mm dia. heavy-duty stainless steel legs with adjustable feet

Controls

- Large easy use control knobs - heat resistant reinforced
- Easy view control settings on knobs
- Single control for power and heating control
- Indicator lights for power and heating
- Quarter turn water valve control for ease of use
- Automatic pilot ignition and flame failure fitted
- 50-320°C electric thermostatic burner control
- Over temperature safety cut-out
- Fold away handle on manual pan tilt
- Pan up and down switches on electric pan tilt

Cleaning and Servicing

- Seamless full stainless steel pan with rounded corners
 - Easy clean stainless steel exterior panels
 - Easy connection access via front service panels
 - Service friendly lid hinge system
 - Access to all parts from front of unit
-

Technical data sheet for

GAS TILTING BRATT PAN 1200mm

BP8120G, BP8120GE

Specifications

Burners

Single 8 bar stainless steel burner 90MJ/hr

Gas power

90MJ/hr, 25kW

Pan

Cooking surface 1080mm x 450mm, 4860cm²

215mm deep

Gas connection

R 3/4 (BSP) male, 60mm from LH side,

305mm from rear, and 122mm from floor

All units supplied with Natural and LP gas regulator

Water connection

Cold water connection 270mm from side,

574mm from rear, and 252mm from floor

1/2" tube connection via 15mm crox fitting

550kpa, 80psi max water pressure

Electrical connection

220-240Vac, 50/60Hz, 1A, 1P+N+E

3 pin 10A plug cordset fitted

DIMENSIONS

Width 1200mm

Depth 805mm

Height 915mm

Incl. splashback 1130mm

Incl. low back 970mm

With lid open 1600mm

NETT WEIGHT

206kg

PACKING DATA

1.36m³, 286kg

Width 1245mm

Depth 870mm

Height 1255mm

GAS TYPES

Available in Natural gas and LP gas

Please specify when ordering

Units supplied complete with gas type conversion kits

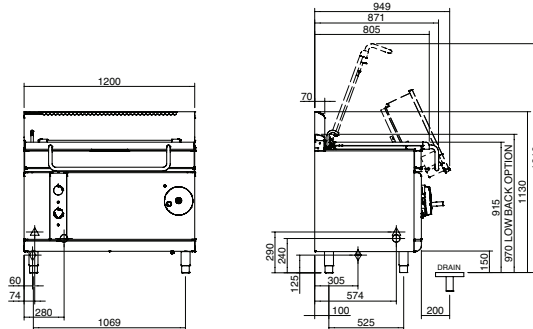
Other gas types on request

OPTIONS AT EXTRA COST

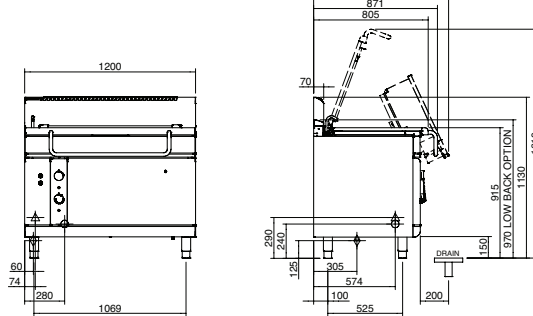
Joining caps

Plinth mounting

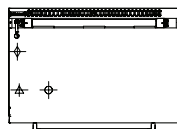
BP8120G



BP8120GE



PLAN



▲ = ELECTRICAL CONNECTION POINT.
 ◆ = GAS CONNECTION POINT.
 ⊕ = WATER CONNECTION POINT.



moffat.com.au

moffat.co.nz

Australia

Moffat Pty Limited

Victoria/Tasmania
 740 Springvale Road
 Mulgrave, Victoria 3170
 Telephone +613-9518 3888
 Facsimile +613-9518 3833
 vsales@moffat.com.au

New South Wales
 Telephone +612-8833 4111
 nswsales@moffat.com.au

South Australia
 Telephone +613-9518 3888
 vsales@moffat.com.au

Queensland
 Telephone +617-3630 8600
 qldsales@moffat.com.au

Western Australia
 Telephone +618-9413 2400
 wasales@moffat.com.au

New Zealand

Moffat Limited

Rolleston
 45 Illinois Drive
 Izone Business Hub
 Rolleston 7675
 Telephone +64 3-983 6600
 Facsimile +64 3-983 6660
 sales@moffat.co.nz

Auckland
 Telephone +64 9-574 3150
 sales@moffat.co.nz



Designed and manufactured by



ISO9001

All Waldorf800 products are designed and manufactured by Moffat using the internationally recognised ISO9001 quality management system, covering design, manufacture and final inspection, ensuring consistent high quality at all times.

In line with policy to continually develop and improve its products, Moffat Limited reserves the right to change specifications and design without notice.



Cert. No. 6923

© Copyright Moffat Ltd
 AN.W8.09/19

an Ali Group Company



The Spirit of Excellence