

Technical data sheet for

# GAS TILTING BRATT PAN 900mm

BP8080G, BP8080GE

---



BP8080G

- 80L full stainless steel pan
- Manually operated tilting mechanism
- Optional electric power tilting mechanism
- Heavy-duty lid and hinge system
- Galvanized steel chassis
- Stainless steel exterior
- Easy clean
- Easy service
- Fully modular
- Low back models (BPL) available

## Overall Construction

- Heavy-duty galvanized steel chassis
- Splashback and side panels 1.2mm 304 stainless steel
- Front panels 0.9mm 304 stainless steel
- Full stainless steel pan with 2.0mm pan body
- 12mm thick stainless steel even heat pan base
- Large capacity pouring spout
- Heavy-duty spring balanced lid hinge system
- 1.5mm 304 stainless steel lid suitable as bench-top workspace
- Full width stainless steel lid handle
- Manually operated pan lift handwheel with fold-away handle
- Electrically powered pan tilting option
- 63mm dia. heavy-duty stainless steel legs with adjustable feet

## Controls

- Large easy use control knobs - heat resistant reinforced
- Easy view control settings on knobs
- Single control for power and heating control
- Indicator lights for power and heating
- Quarter turn water valve control for ease of use
- Automatic pilot ignition and flame failure fitted
- 50-320°C electric thermostatic burner control
- Over temperature safety cut-out
- Fold away handle on manual pan tilt
- Pan up and down switches on electric pan tilt

## Cleaning and Servicing

- Seamless full stainless steel pan with rounded corners
  - Easy clean stainless steel exterior panels
  - Easy connection access via front service panels
  - Service friendly lid hinge system
  - Access to all parts from front of unit
-

Technical data sheet for

# GAS TILTING BRATT PAN 900mm

BP8080G, BP8080GE

## Specifications

### Burner

Single 6 bar stainless steel burner 75MJ/hr

### Gas power

75MJ/hr, 21kW

### Pan

Cooking surface 780mm x 450mm, 3510cm<sup>2</sup>

215mm deep

### Gas connection

R <sup>3</sup>/<sub>4</sub> (BSP) male, 60mm from LH side, 305mm from rear, and 122mm from floor  
All units supplied with Natural and LP gas regulator

### Water connection

Cold water connection 270mm from side, 574mm from rear, and 252mm from floor  
<sup>1</sup>/<sub>2</sub>" tube connection via 15mm crox fitting  
550kpa, 80psi max water pressure

### Electrical connection

220-240Vac, 50/60Hz, 1A, 1P+N+E  
3 pin 10A plug cordset fitted

### DIMENSIONS

Width 900mm

Depth 805mm

Height 915mm

Incl. splashback 1130mm

Incl. low back 970mm

With lid open 1600mm

### NETT WEIGHT

170kg

### PACKING DATA

1.03m<sup>3</sup>, 236kg

Width 945mm

Depth 870mm

Height 1255mm

### GAS TYPES

Available in Natural gas and LP gas

Please specify when ordering

Units supplied complete with gas type conversion kits

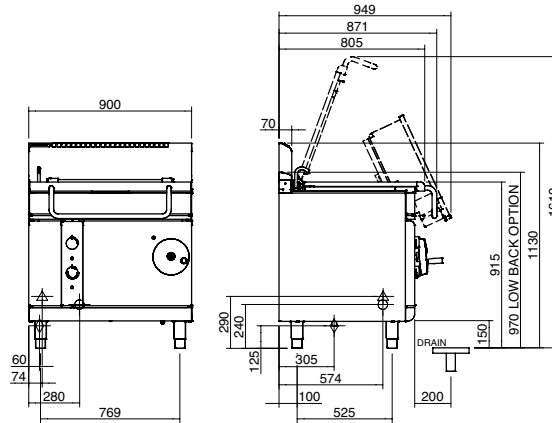
Other gas types on request

### OPTIONS AT EXTRA COST

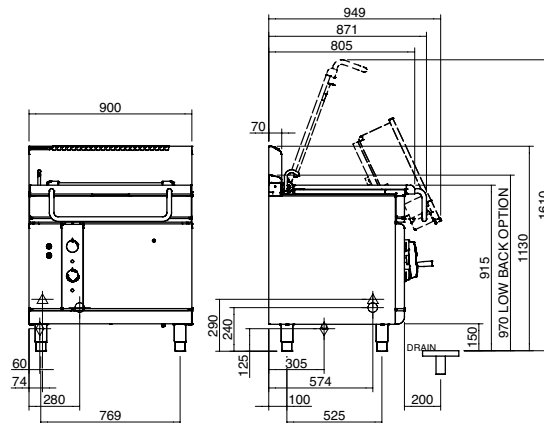
Joining caps

Plinth mounting

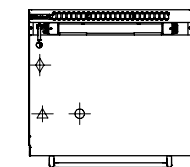
BP8080G



BP8080GE



PLAN



△ = ELECTRICAL CONNECTION POINT.

◇ = GAS CONNECTION POINT.

⊕ = WATER CONNECTION POINT.



moffat.com.au  
moffat.co.nz

Australia  
moffat.com.au

### Moffat Pty Limited

Victoria/Tasmania  
740 Springvale Road  
Mulgrave, Victoria 3170  
Telephone +613-9518 3888  
Facsimile +613-9518 3833  
vsales@moffat.com.au

New South Wales  
Telephone +612-8833 4111  
nswsales@moffat.com.au

South Australia  
Telephone +613-9518 3888  
vsales@moffat.com.au

Queensland  
Telephone +617-3630 8600  
qldsales@moffat.com.au

Western Australia  
Telephone +618-9413 2400  
wasales@moffat.com.au

New Zealand  
moffat.co.nz

### Moffat Limited

Rolleston  
45 Illinois Drive  
Izone Business Hub  
Rolleston 7675  
Telephone +64 3-983 6600  
Facsimile +64 3-983 6660  
sales@moffat.co.nz

Auckland  
Telephone +64 9-574 3150  
sales@moffat.co.nz



Cert. No. 6923

In line with policy to continually develop and improve its products, Moffat Limited reserves the right to change specifications and design without notice.

© Copyright Moffat Ltd  
AN.W8.08/19