

# Merrychef Advanced High Speed Cook Oven

**eikon® e3 HP**



## Standard Features

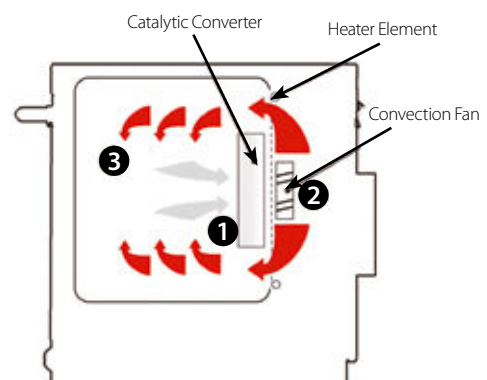
- Oven cavity to suit up to 297mm x 321mm / 11" x 12.7" tray size
- 2 rack positions
- Up to 5 times faster than a convection oven
- Advanced Cooking Technology® combines two heat technologies: microwave and convection heat
- Ventless cooking capabilities through built in catalytic converter
- Colour easyTouch® icon driven touch screen control panel with the capability of storing up to 1,024 multi-stage recipe programs
- Each program offers up to six (6) stages with programmable cooking times, microwave power setting and user instructions for each stage
- 3 cooking levels for power saving yet faster cooking and baking
- Quick preheat function
- Includes turntable for even browning
- Easy menu updates or data transfer via USB
- MenuConnect™ – ethernet connection for remote menu updating and diagnostics
- Precise temperature setting range from 100°C - 275°C
- Self-diagnostics capability to monitor components
- Cool to touch door exterior
- Stainless steel construction
- Easy to clean interior
- Easy access to front facing air filter
- Multi-languages available

## Includes

- Cast turntable tray coated (3)
- Handle
- Turntable disk
- Cool down pan
- Cleaning care package, consisting of:
  - 1x oven cleaner (bottle)
  - 1x oven protector (bottle)

## Accessories

- Circular Teflon liners
- Trays
- Disk
- Racks
- Handles

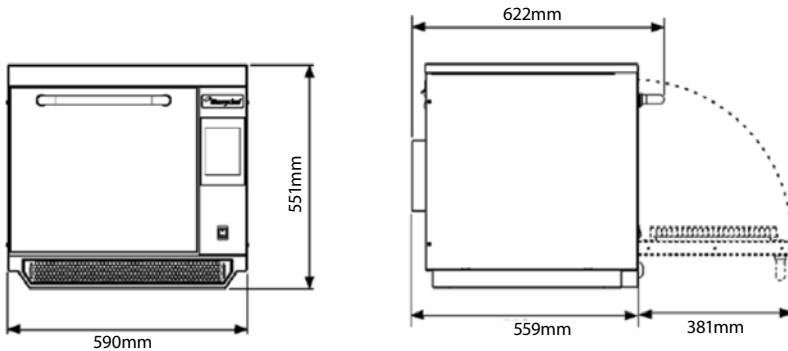


## Airflow (side view)

Air in the oven cavity is cleaned by being drawn through the catalytic converter\* (1) by the convection fan (2) and then passes over the heating element and is circulated into the oven cavity (3) at the set temperature.

# Merrychef Advanced High Speed Cook Oven

**eikon® e3 HP**



**MOFFAT®**

Australia  
moffat.com.au

New Zealand  
moffat.co.nz

Australia  
Moffat Pty Limited

Victoria/Tasmania  
740 Springvale Road  
Mulgrave, Victoria 3170  
Ph 03-9518 3888  
Fax 03-9518 3833  
vsales@moffat.com.au  
www.moffat.com.au

New South Wales  
Ph 02-8833 4111  
nswsales@moffat.com.au

South Australia  
Ph 03-9518 3888  
vsales@moffat.com.au

Queensland  
Ph 07-3630 8600  
qldsales@moffat.com.au

Western Australia  
Ph 08-9413 2400  
wasales@moffat.com.au

New Zealand  
Moffat Limited

Christchurch  
45 Illinois Drive  
Izone Business Hub  
Rolleston 7675  
New Zealand  
Telephone +64 3-983 6600  
Facsimile +64 3-983 6660  
sales@moffat.co.nz

Auckland  
Ph +64 9-574 3150  
sales@moffat.co.nz

In line with policy to continually develop and improve its products, Moffat Limited reserves the right to change specifications and design without notice.

© Copyright Moffat Ltd  
AN.MC.1810



## MICROWAVE POWER

Microwave settings, off or 5-100% in 1% increments  
Distribution system, rotating active antennae

## CONVECTED HEAT

Temperature settings off and from 100°C to 275°C  
in 1° C steps  
Distribution system, tuned impingement

## DIMENSIONS

Width	590 mm
Depth	559 mm
Height	551 mm
Weight	62.5 kg

## PACKED DIMENSIONS

Width	770 mm
Depth	860 mm
Height	760 mm
Weight (including cleaning system)	71 kg

## INSTALLATION REQUIREMENTS

Rear	50 mm
Right	50 mm
Left	50 mm

## INSTALLATION REQUIREMENTS

For precise installation instructions please refer to the units installation manual

## ELECTRICAL SUPPLY

400-415V, 50Hz (2P+N+E)  
Rated power consumption 4.7 kW  
Rated current 20A  
20A 5 pin plug  
All Merrychef ovens require installing a type D circuit breaker for all installations.

## POWER OUTPUT (APPROX.)

Microwave	1 kW
Convected heat	3 kW
Combination mode	1**+3kW

\*\*This is approximate microwave power output.

an Ali Group Company



The Spirit of Excellence