

Merrychef High Speed Cook Oven

conneX[®] 16 HP



conneX16 HP



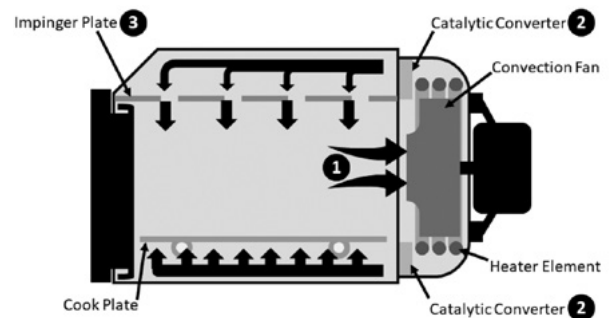
conneX16 B HP

Standard Features

- All in one unit to rapidly cook, toast, grill and reheat fresh or frozen food – eliminating need for other appliances
- Cooking up to 20 times faster than other cooking methods
- Large oven cavity to suit up to 405mm x 405mm / 16" plate size
- Fits on a 700mm bench depth
- Ventless cooking capabilities through built in catalytic converter
- High speed Technology[®] combines three heat technologies: microwave, convection heat and tuned impingement
- Energy efficient with quick pre-heat, cool down times and low energy usage in standby mode
- Easy to operate with 7" HD widescreen display with robust glass surround
- EasyTouch 2.0 icon driven controller with unlimited storage for multi-stage cooking profiles
- Each cooking profile offers up to 6 stages with programmable cooking times, microwave power settings and written / pictorial user instructions for each stage
- Self-diagnostics capability to monitor components
- Easy menu updates or data transfer via USB
- Wi-fi / ethernet connection
- Quiet operation < 48 dbA
- Cool to touch exterior allows for zero space at the sides and back
- Patented easy access front mounted air filter
- Stainless steel cavity and casework
- Easy clean cavity with sealed rounded edges

Includes

- Flat cook plate
- Guarded paddle with sides
- Full size cooking tray
- Cool down pan
- Cook plate liners (2)
- Cleaning care package, consisting of:
 - 1x oven cleaner (bottle)
 - 1x oven protector (bottle)

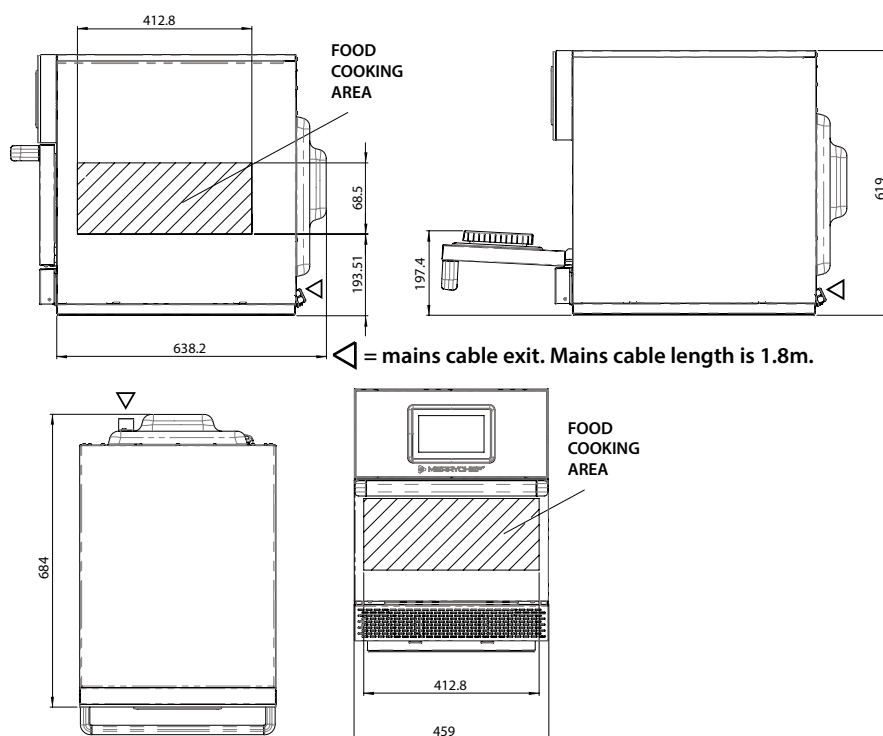


How it works

The convection fan pulls air in through the back of the cavity (1). This is then heated and returned to the cavity through the catalytic converters (2) and impinger plate (3) to produce an even heat pattern in the oven. This heat pattern allows food to cook evenly and produces a crisp golden finish, every time.

Merrychef High Speed Cook Oven

conneX 16 HP



MOFFAT

Australia
moffat.com.au

New Zealand
moffat.co.nz

Australia
Moffat Pty Limited

Victoria/Tasmania
740 Springvale Road
Mulgrave, Victoria 3170
Ph 03-9518 3888
Fax 03-9518 3833
vsales@moffat.com.au
www.moffat.com.au

New South Wales
Ph 02-8833 4111
nswsales@moffat.com.au

South Australia
Ph 03-9518 3888
vsales@moffat.com.au

Queensland
Ph 07-3630 8600
qldsales@moffat.com.au

Western Australia
Ph 08-9413 2400
wasales@moffat.com.au

New Zealand
Moffat Limited

Christchurch
45 Illinois Drive
Izone Business Hub
Rolleston 7675
New Zealand
Telephone +64 3-983 6600
Facsimile +64 3-983 6660
sales@moffat.co.nz

Auckland
Ph +64 9-574 3150
sales@moffat.co.nz

In line with policy to continually develop and improve its products, Moffat Limited reserves the right to change specifications and design without notice.

© Copyright Moffat Ltd
AN.MC.22.08



MICROWAVE POWER

Microwave settings, off or 5-100% in 1% increments
Distribution system, rotating active antennae

CONVECTED HEAT

Temperature settings OFF and from 100° to 275°C
in 1°C steps
Distribution system, Tuned Impingement

VENTILATION

Ventless certification, EPA 202 tested (8hr)
Internal catalytic filtration to limit grease and odour
emission

DIMENSIONS

Width	459 mm
Depth	684 mm
Height	619 mm
Weight	67.2 kg

PACKED DIMENSIONS

Width	620 mm
Depth	820 mm
Height	855 mm
Weight (including cleaning system)	79.2 kg

INSTALLATION REQUIREMENTS

Rear	0 mm
Right	0 mm
Left	0 mm
Top	50 mm

The item is not intended for built-in application
For precise installation instructions please refer to the
units installation manual

ELECTRICAL SUPPLY

2 phase model	
400-415, 50Hz (2P+N+E)	
Rated power consumption:	5.8kW
Rated current:	20A
20A 5 pin plug	
Mains cable length	1.8m

All Merrychef ovens require a D type circuit
breaker for all installations

POWER OUTPUT (APPROX.)

Microwave	2.0 kW
Convected heat	3.2 kW
Combination mode	2.0** + 3.2 kW

**This is approximate microwave power output.

an Ali Group Company



The Spirit of Excellence