

CW2H

1200mm 2 Hole Gas Waterless Woks

CW2H-CC 2 Hole, 2 Chimney Burners

CW2H-CD 2 Hole, 1 Chimney Burner, 1 Duckbill Burner

CW2H-DD 2 Hole, 2 Duckbill Burners



CW2H

- 800mm compact depth
- Cobra suite matching
- Waterless wok deck
- 14" wok hole
- Duckbill and Chimney burner model options
- 105 MJ/hr 18 jet Duckbill burners¹
- 95 MJ/hr 24 jet Chimney burners
- High splashback with shelf
- Water folding laundry arm on splashback
- Rear waste channel
- Stainless steel spill tray
- Lift out wok ring
- Flame failure protection with pilot burner

Also Available



CW1H



CW3H



Duckbill burner



Chimney burner

OVERALL CONSTRUCTION

- Full chassis construction
- Double skin insulated wok deck
- Stainless steel exterior finish
- Heavy-duty cast iron wok rings (removable)
- Stainless steel spill tray
- 63mm dia. stainless steel legs with adjustable feet

CONTROLS

- Pilot On/Off control with flame failure valve
- Main burner On/Off valve with High-Low burner adjustment
- Quarter turn main burner control handles
- Quarter turn water valve handle

CLEANING AND SERVICING

- Stainless steel exterior finish
- Lift out wok rings for full cleaning ability
- Slide out spill tray
- Rear waste channel with removable grate for debris collection
- Access to all parts from front and top for servicing

¹ NZ models Duckbill burner rating 105MJ/hr Natural Gas / 85MJ/hr on LP gas.

Matching Products



CSP6

CN4

CT9

CP4

CS9 / C900-S

C6B

CR9D

CR6C

CF4

C9C

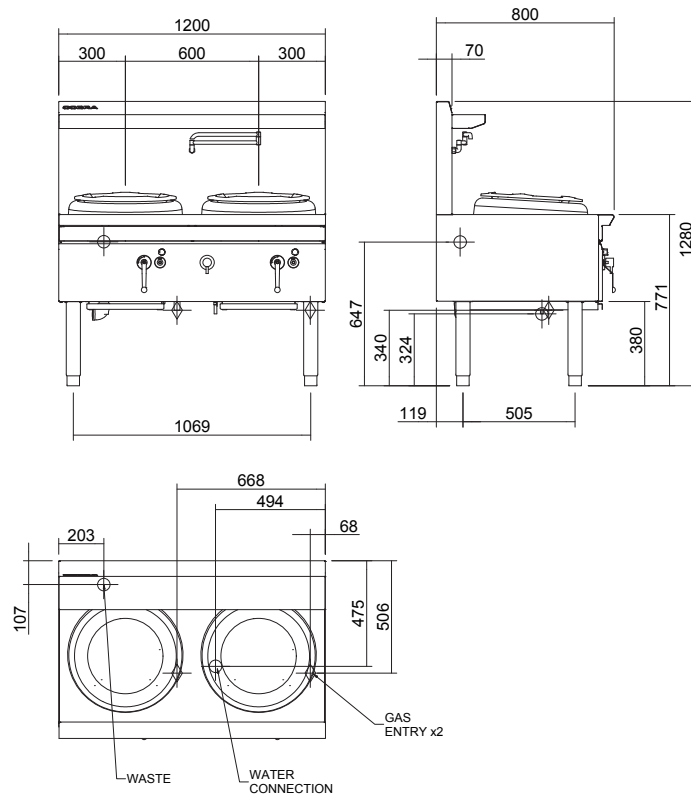
CW2H

1200mm 2 Hole Gas Waterless Woks

CW2H-CC 2 Hole, 2 Chimney Burners

CW2H-CD 2 Hole, 1 Chimney Burner, 1 Duckbill Burner

CW2H-DD 2 Hole, 2 Duckbill Burners



CW2H

SPECIFICATIONS

Burners
 95MJ/hr 24 jet Chimney burner
 105MJ/hr 18 jet Duckbill burner
 (NZ - LP gas rating 85 MJ/hr)

Gas Rating - Total
 CW2H-CC 190 MJ/hr
 CW2H-CD 200 MJ/hr
 (NZ- LP gas rating 180 MJ/hr)
 CW2H-DD 210 MJ/hr
 (NZ- LP gas rating 170 MJ/hr)

Wok size
 14" wok ring
 Suits woks 40-60cm / 16-24"

Gas connection (x2)
 Separate gas connection for each wok hole. R3/4 (BSP) male each wok hole 506mm from rear, 340mm from floor, 68mm and 668mm from RH side

All units supplied with Natural-LP gas regulators for each wok connection
 Supplied gas regulators include Test Point for appliance operating pressure
 Supplied regulator(s) must be fitted to each appliance gas connection when installed

Water connection
 Cold water connection
 1 x 1/2" O.D. copper tube
 475mm from rear, 325mm from floor 494mm from RH side

Drain connection
 Connection to waste drain 1-1/4" BSP drain waste
 107mm from rear, 647mm from floor, 203mm from LH side

Dimensions
 Width 1200mm
 Depth 800mm
 Height 771mm
 Incl. splashback 1280mm

Nett weight
 135kg

Packing data
 1.48m3, 211kg
 Width 1235mm
 Depth 865mm
 Height 1382mm

Gas types
 Available in Natural gas and LP gas, please specify when ordering



Cert. No. AGA 8593G

moffat.com.au
 moffat.co.nz

Australia
 moffat.com.au

Moffat Pty Limited

Victoria/Tasmania
 740 Springvale Road
 Mulgrave, Victoria 3170
 Telephone +613-9518 3888
 Facsimile +613-9518 3833
 vsales@moffat.com.au

New South Wales
 Telephone +612-8833 4111
 nswsales@moffat.com.au

South Australia
 Telephone +613-9518 3888
 vsales@moffat.com.au

Queensland
 Telephone +617-3630 8600
 qldsales@moffat.com.au

Western Australia
 Telephone +618-9413 2400
 wasales@moffat.com.au

New Zealand
 moffat.co.nz

Moffat Limited

Rolleston
 45 Illinois Drive
 Izone Business Hub
 Rolleston 7675
 Telephone +64 3-983 6600
 Facsimile +64 3-983 6660
 sales@moffat.co.nz

Auckland
 Telephone +64 9-574 3150
 sales@moffat.co.nz



ISO9001
 Quality
 Management
 Standard

Designed and manufactured by



ISO9001
 All Cobra products are designed and manufactured by Moffat using the internationally recognised ISO9001 quality management system, covering design, manufacture and final inspection, ensuring consistent high quality at all times.

In line with policy to continually develop and improve its products, Moffat Limited reserves the right to change specifications and design without notice.

© Copyright Moffat Ltd
 AN.C.01.19 / 1598