

## CT6

### 600mm Gas Griddle Toaster



CT6

- 600mm wide
- 2 x 21MJ/hr burners
- Flame failure protection with continuous pilot burner and piezo ignition
- 12mm thick griddle plate
- 5-position toasting rack
- Full width grease trough and removable collection tray
- Open cabinet base for extra storage
- Adjustable front feet and rear rollers
- Stainless steel finish

#### OVERALL CONSTRUCTION

- 12mm machined surface mild steel griddle plate
- Vitreous enamelled control panel
- Dual burners with individual pilot and flame failure
- Aluminised steel crumb tray
- Stainless steel exterior
- Chrome plated toasting rack and rack supports
- Two stainless steel grease trays
- 63mm dia. stainless steel adjustable legs to front and two rollers at rear

#### CONTROLS

- Large easy use control knobs
- Dual controls with variable high to low burner setting
- Flame failure pilot burners
- Piezo ignition to pilot burners

#### CLEANING AND SERVICING

- Removable grill rack system, rack supports and crumb tray
- Removable grease trays
- Easy clean stainless steel exterior
- Access to all parts from front of unit

#### Matching Products



CW2H



CSP6



CN4



CW3H



CW1H



CP4



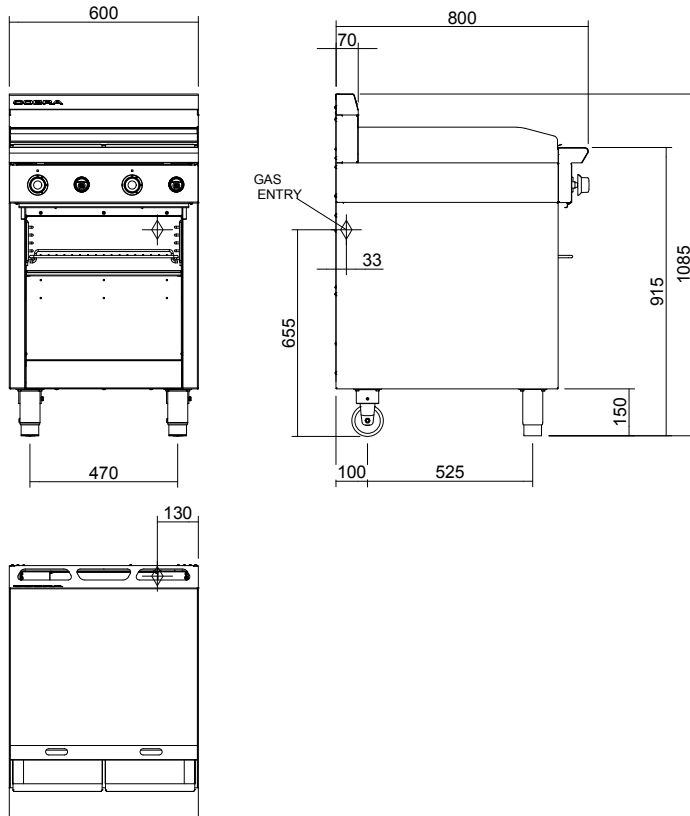
CS9 / C900-S



CR9D

## CT6

### 600mm Gas Griddle Toaster



CT6

#### SPECIFICATIONS

**Burners**  
2 x 21MJ/hr, 5.8kW tubular burners with grill radiants

**Gas power (gross)**  
42MJ/hr, 11.7kW

**Cooking surface**  
590mm x 520mm, 3068cm<sup>2</sup>

**Toaster dimensions**  
Rack size 430mm x 470mm  
Rack positions 4

**Gas connection**  
R 1/2 (BSP) male  
130mm from RH side, 32mm from rear, and 655mm from floor

**Dimensions**  
Width 600mm  
Depth 800mm  
Height 915mm  
Incl. splashback 1085mm

**Nett weight**  
92kg

**Packing data**  
0.85m<sup>3</sup>, 123kg  
Width 710mm  
Depth 955mm  
Height 1250mm

**Gas types**  
Available in Natural gas and LP gas, please specify when ordering  
Other gas types on request



Cert. No. AGA 6869G

[moffat.com.au](http://moffat.com.au)  
[moffat.co.nz](http://moffat.co.nz)

**Australia**  
[moffat.com.au](http://moffat.com.au)

**Moffat Pty Limited**  
Victoria/Tasmania  
740 Springvale Road  
Mulgrave, Victoria 3170  
Telephone +613-9518 3888  
Facsimile +613-9518 3833  
[vsales@moffat.com.au](mailto:vsales@moffat.com.au)

New South Wales  
Telephone +612-8833 4111  
[nswsales@moffat.com.au](mailto:nswsales@moffat.com.au)

South Australia  
Telephone +613-9518 3888  
[vsales@moffat.com.au](mailto:vsales@moffat.com.au)

Queensland  
Telephone +617-3630 8600  
[qldsales@moffat.com.au](mailto:qldsales@moffat.com.au)

Western Australia  
Telephone +618-9413 2400  
[wasales@moffat.com.au](mailto:wasales@moffat.com.au)

**New Zealand**  
[moffat.co.nz](http://moffat.co.nz)

**Moffat Limited**  
Rolleston  
45 Illinois Drive  
Izone Business Hub  
Rolleston 7675  
Telephone +64 3-983 6600  
Facsimile +64 3-983 6660  
[sales@moffat.co.nz](mailto:sales@moffat.co.nz)

Auckland  
Telephone +64 9-574 3150  
[sales@moffat.co.nz](mailto:sales@moffat.co.nz)



Designed and manufactured by



ISO9001  
All Cobra products are designed and manufactured by Moffat using the internationally recognised ISO9001 quality management system, covering design, manufacture and final inspection, ensuring consistent high quality at all times.

In line with policy to continually develop and improve its products, Moffat Limited reserves the right to change specifications and design without notice.

© Copyright Moffat Ltd  
AN.C.01.19 / 1598