

CR9B

900mm Two Burner/Griddle Gas Range Static Oven



CR9B

- 900mm wide
- 2 open burners
- 600mm griddle plate
- 22MJ open burner rating
- Flame failure standard on open burners
- Optional pilot and flame failure on open burners
- Cast iron burners and vitreous enamel potstands
- 2 griddle burner with pilot, flame failure and piezo ignition
- Griddle plate machine finished 12mm thickness
- High crown static oven
- Capacity for one 2/1 GN or two 1/1 GN pans on oven rack
- Manual pilot ignition
- French door system
- Vitreous enameled oven liner
- Adjustable front feet and rear rollers
- Stainless steel finish
- Fully modular

Also Available



CR9A



CR9C



CR9D

OVERALL CONSTRUCTION

Cooktop

- Cast iron open burner heads with vitreous enamelled cast iron caps
- Vitreous enamelled potstands
- Vitreous enamelled control panel
- 12mm machined surface mild steel griddle plates
- Stainless steel front, sides and splashback
- Griddle section standard on RH side only

Oven

- Vitreous enamelled oven liner
- Extra wide GN 2/1 capacity with 4 position racking
- Supplied with one chrome plated oven rack
- Vitreous enamelled oven spill tray
- Stainless steel doors and sides
- 63mm dia. stainless steel adjustable legs to front and two rollers at rear

CONTROLS

Cooktop

- Large easy use control knobs
- Variable high to low controls to open and griddle burners
- Flame failure standard on open burners
- Optional pilot and flame failure on open burners
- Griddles standard with pilot, flame failure and piezo ignition

Oven

- 100-310°C thermostatic oven control
- Piezo ignition to oven pilot burner with flame failure

CLEANING AND SERVICING

- Easy clean stainless steel exterior
- Vitreous enamelled potstands and burner caps
- Lift off open burner caps and removable burners
- Stainless steel removable spill trays
- Stainless steel grease trays on griddle
- Access to all parts from front of unit

Matching Products



CW2H



CSP6



CN4



CT9



CW3H



CW1H



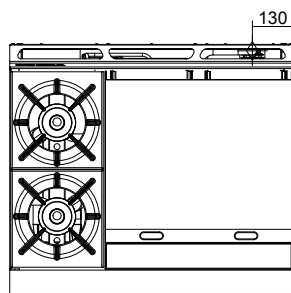
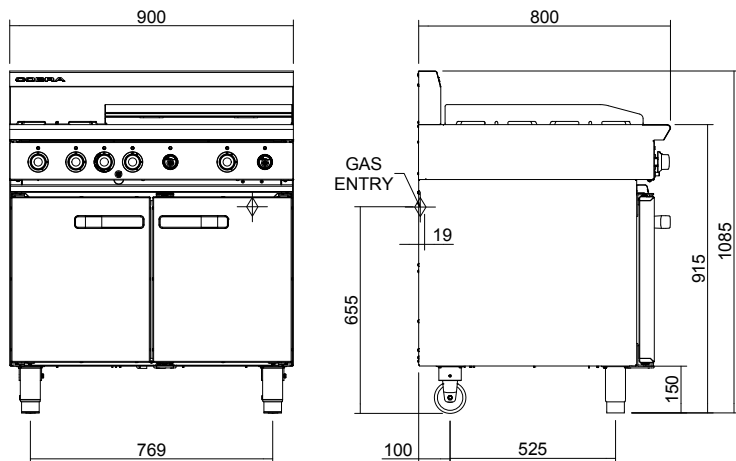
CP4



CS9 / C900-S

CR9B

900mm Two Burner/Griddle Gas Range Static Oven



CR9B

SPECIFICATIONS

Burners
 Open Burners;
 22MJ/hr, 5.5kW each
 Griddle Burners;
 20MJ/hr, 5.0kW per 300mm section
Oven; 28MJ/hr, 7.8kW
Gas power (gross)
 CR9B 112MJ/hr, 31kW
Oven dimensions
 Width 760mm
 Depth 615mm
 Height 365mm
Rack size
 750mm x 590mm
 Rack positions 4
Gas connection
 R 3/4 (BSP) male
 130mm from RH side, 20mm from rear, and 655mm from floor

Dimensions
 Width 900mm
 Depth 800mm
 Height 915mm
 Incl. splashback 1085mm
Nett weight
 132kg
Packing data
 1.21m³, 172kg
 Width 1010mm
 Depth 955mm
 Height 1250mm
Gas types
 Available in Natural gas and LP gas,
 please specify when ordering
 Other gas types on request



Cert. No. AGA 7225G

moffat.com.au
 moffat.co.nz

Australia
 moffat.com.au

Moffat Pty Limited

Victoria/Tasmania
 740 Springvale Road
 Mulgrave, Victoria 3170
 Telephone +613-9518 3888
 Facsimile +613-9518 3833
 vsales@moffat.com.au

New South Wales
 Telephone +612-8833 4111
 nswsales@moffat.com.au

South Australia
 Telephone +613-9518 3888
 vsales@moffat.com.au

Queensland
 Telephone +617-3630 8600
 qldsals@moffat.com.au

Western Australia
 Telephone +618-9413 2400
 wasales@moffat.com.au

New Zealand
 moffat.co.nz

Moffat Limited

Rolleston
 45 Illinois Drive
 Izone Business Hub
 Rolleston 7675
 Telephone +64 3-983 6600
 Facsimile +64 3-983 6660
 sales@moffat.co.nz

Auckland
 Telephone +64 9-574 3150
 sales@moffat.co.nz



ISO9001
 Quality
 Management
 Standard

Designed and manufactured by



ISO9001
 All Cobra products are designed and
 manufactured by Moffat using the
 internationally recognised ISO9001
 quality management system,
 covering design, manufacture and
 final inspection, ensuring consistent
 high quality at all times.

In line with policy to continually
 develop and improve its products,
 Moffat Limited reserves the right
 to change specifications and design
 without notice.

© Copyright Moffat Ltd
 AN.C.01.19 / 1598

an Ali Group Company



The Spirit of Excellence