

## CR6D

### 600mm Four Burner Gas Range Static Oven



CR6D

- 600mm wide
- 4 open burners
- 22MJ open burner rating
- Flame failure standard on open burners
- Optional pilot and flame failure on open burners
- Cast iron burners and vitreous enamel potstands
- High crown static oven
- 1/1 GN pan capacity
- Manual pilot ignition
- Side hinged door
- Vitreous enameled oven liner
- Adjustable front feet and rear rollers
- Stainless steel finish
- Fully modular

#### Also Available



CR6B



CR6C

#### OVERALL CONSTRUCTION

##### Cooktop

- Cast iron open burner heads with vitreous enamelled cast iron caps
- Vitreous enamelled potstands
- Vitreous enamelled control panel
- Stainless steel front, sides and splashback
- Stainless steel spill tray

##### Oven

- Vitreous enamelled oven liner
- GN 1/1 capacity with 4 position racking
- Supplied with one chrome plated oven rack
- Vitreous enamelled oven spill tray
- Stainless steel door and sides
- 63mm dia. stainless steel adjustable legs to front and two rollers at rear

#### CONTROLS

##### Cooktop

- Large easy use control knobs
- Variable high to low controls to open burners
- Flame failure standard on open burners
- Optional pilot and flame failure on open burners

##### Oven

- 100-310°C thermostatic oven control
- Piezo ignition to oven pilot burner with flame failure

#### CLEANING AND SERVICING

- Easy clean stainless steel exterior
- Vitreous enamelled potstands and burner caps
- Lift off open burner caps and removable burners
- Removable spill trays
- Access to all parts from front of unit

#### Matching Products



CW2H



CSP6



CN4



CT9



CW3H



CW1H



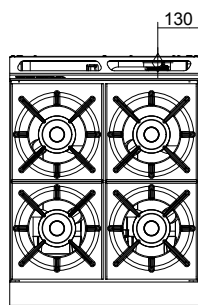
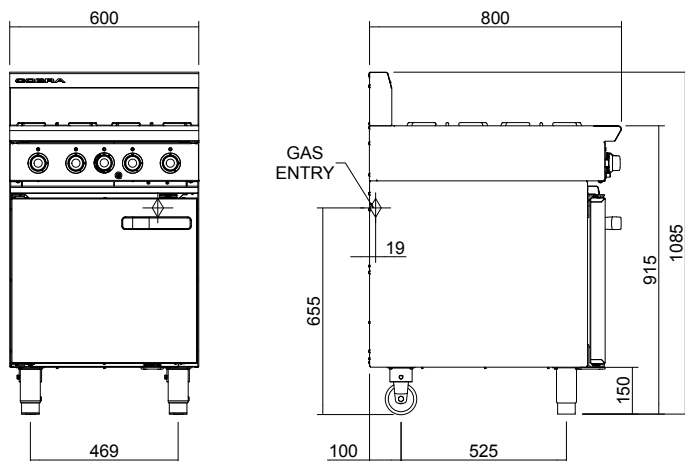
CP4



CS9 / C900-S

## CR6D

### 600mm Four Burner Gas Range Static Oven



CR6D

#### SPECIFICATIONS

**Burners**  
Open Burners;  
22MJ/hr, 6.1kW each

**Oven; 24MJ/hr, 6.7kW**

**Gas power (gross)**  
CR6D 112MJ/hr, 31.1kW

**Oven dimensions**  
Width 460mm  
Depth 615mm  
Height 365mm

**Rack size**  
450mm x 590mm  
Rack positions 4

**Gas connection**  
R 3/4 (BSP) male  
130mm from RH side, 20mm from rear, and 655mm from floor

**Dimensions**  
Width 600mm  
Depth 800mm  
Height 915mm  
Incl. splashback 1085mm

**Nett weight**  
99kg

**Packing data**  
0.85m<sup>3</sup>, 130kg  
Width 710mm  
Depth 955mm  
Height 1250mm

**Gas types**  
Available in Natural gas and LP gas,  
please specify when ordering  
Other gas types on request



Cert. No. AGA 7225G

moftat.com.au  
moftat.co.nz

Australia  
moftat.com.au

Moffat Pty Limited

Victoria/Tasmania  
740 Springvale Road  
Mulgrave, Victoria 3170  
Telephone +613-9518 3888  
Facsimile +613-9518 3833  
vsales@moffat.com.au

New South Wales  
Telephone +612-8833 4111  
nswsales@moffat.com.au

South Australia  
Telephone +613-9518 3888  
vsales@moffat.com.au

Queensland  
Telephone +617-3630 8600  
qldsales@moffat.com.au

Western Australia  
Telephone +618-9413 2400  
wasales@moffat.com.au

New Zealand  
moftat.co.nz

Moffat Limited

Rolleston  
45 Illinois Drive  
Izone Business Hub  
Rolleston 7675  
Telephone +64 3-983 6600  
Facsimile +64 3-983 6660  
sales@moffat.co.nz

Auckland  
Telephone +64 9-574 3150  
sales@moffat.co.nz



ISO9001  
Quality  
Management  
Standard

Designed and manufactured by



ISO9001  
All Cobra products are designed and  
manufactured by Moffat using the  
internationally recognised ISO9001  
quality management system,  
covering design, manufacture and  
final inspection, ensuring consistent  
high quality at all times.

In line with policy to continually  
develop and improve its products,  
Moffat Limited reserves the right  
to change specifications and design  
without notice.

© Copyright Moffat Ltd  
AN.C.01.19 / 1598