

CR6B

600mm Griddle Gas Range Static Oven



CR6B

- 600mm wide
- 2 griddle burners with pilot, flame failure and piezo ignition
- Machine finished griddle plate 12mm thickness
- High crown static oven
- 1/1 GN pan capacity
- Manual pilot ignition
- Side hinged door
- Vitreous enameled oven liner
- Adjustable front feet and rear rollers
- Stainless steel finish
- Fully modular

Also Available



CR6C



CR6D

OVERALL CONSTRUCTION

Cooktop

- 12mm machined surface mild steel griddle plate
- Vitreous enamelled control panel
- Stainless steel front, sides and splashback
- Stainless steel spill tray

Oven

- Vitreous enamelled oven liner
- GN 1/1 capacity with 4 position racking
- Supplied with one chrome plated oven rack
- Vitreous enamelled oven spill tray
- Stainless steel door and sides
- 63mm dia. stainless steel adjustable legs to front and two rollers at rear

CONTROLS

Cooktop

- Large easy use control knobs
- Variable high to low controls to griddle burners
- Standard with pilot, flame failure and piezo ignition

Oven

- 100-310°C thermostatic oven control
- Piezo ignition to oven pilot burner with flame failure

CLEANING AND SERVICING

- Easy clean stainless steel exterior
- Stainless steel grease trays
- Access to all parts from front of unit

Matching Products



CW2H



CSP6



CN4



CT9



CW3H



CW1H



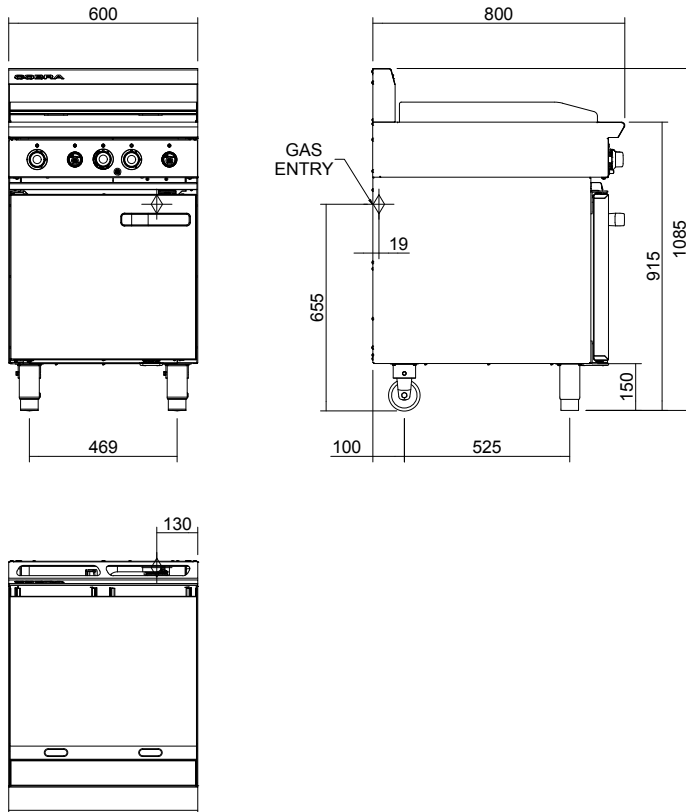
CP4



CS9 / C900-S

CR6B

600mm Griddle Gas Range Static Oven



CR6B

SPECIFICATIONS

Burners
Griddle Burners;
20MJ/hr, 5.5kW per 300mm section

Oven; 24MJ/hr, 6.7kW

Gas power (gross)
CR6B 64MJ/hr, 17.8kW

Oven dimensions
Width 460mm
Depth 615mm
Height 365mm

Rack size
450mm x 590mm
Rack positions 4

Gas connection
R 3/4 (BSP) male
130mm from RH side, 20mm from rear, and 655mm from floor

Dimensions
Width 600mm
Depth 800mm
Height 915mm
Incl. splashback 1085mm

Nett weight
109kg

Packing data
0.85m³, 140kg
Width 710mm
Depth 955mm
Height 1250mm

Gas types
Available in Natural gas and LP gas,
please specify when ordering
Other gas types on request



Cert. No. AGA 7225G

moftat.com.au
moftat.co.nz

Australia
moftat.com.au

Moffat Pty Limited

Victoria/Tasmania
740 Springvale Road
Mulgrave, Victoria 3170
Telephone +613-9518 3888
Facsimile +613-9518 3833
vsales@moffat.com.au

New South Wales
Telephone +612-8833 4111
nswsales@moffat.com.au

South Australia
Telephone +613-9518 3888
vsales@moffat.com.au

Queensland
Telephone +617-3630 8600
qldsales@moffat.com.au

Western Australia
Telephone +618-9413 2400
wasales@moffat.com.au

New Zealand
moftat.co.nz

Moffat Limited

Rolleston
45 Illinois Drive
Izone Business Hub
Rolleston 7675
Telephone +64 3-983 6600
Facsimile +64 3-983 6660
sales@moffat.co.nz

Auckland
Telephone +64 9-574 3150
sales@moffat.co.nz



ISO9001
Quality
Management
Standard

Designed and manufactured by



ISO9001
All Cobra products are designed and
manufactured by Moffat using the
internationally recognised ISO9001
quality management system,
covering design, manufacture and
final inspection, ensuring consistent
high quality at all times.

In line with policy to continually
develop and improve its products,
Moffat Limited reserves the right
to change specifications and design
without notice.

© Copyright Moffat Ltd
AN.C.01.19 / 1598