

CP4

450mm Single Pan Gas Pasta Cooker



CP4

- High performance single pan pasta cooker
- Patented infra-red burner system
- Easy clean 316 grade stainless steel open pan
- 40L water capacity
- Integrated water fill and starch skimming water faucet
- Six stainless steel pasta baskets supplied
- Hinged basket drain stand
- Safety cut-out thermostat for empty pan/water boil out
- Stainless steel exterior
- Easy clean
- Easy service
- Fully modular

OVERALL CONSTRUCTION

- Pan 1.5mm 316 stainless steel
- Stainless steel front, sides and splashback
- Vitreous enamelled control panel
- Double skin door with stainless exterior
- 25mm (1") skimming overflow and pan drain valve
- 63mm dia. stainless steel adjustable legs to front and two rollers at rear
- Six stainless steel baskets with moulded handles
- 304 stainless steel wire basket support grid in pan

CONTROLS

- Large easy to use knob - heat resistant reinforced
- Variable high boil to standby simmer burner control
- Fine adjustment water faucet for pan filling and water refreshing/starch skimming
- Pan protection safety cut-out thermostat
- Millivolt gas valve system (no electrical supply)
- Flame failure protection on pilot
- Piezo ignition to standing pilot burner

CLEANING AND SERVICING

- Open stainless steel pan for easy clean
- Hinged basket drain tray
- Removable basket support grid
- 25mm (1") drain valve for effective draining
- Easy clean stainless steel exterior
- Access to all parts from front of unit

Matching Products



CW2H



CSP6



CN4



CT9



CW3H



CW1H



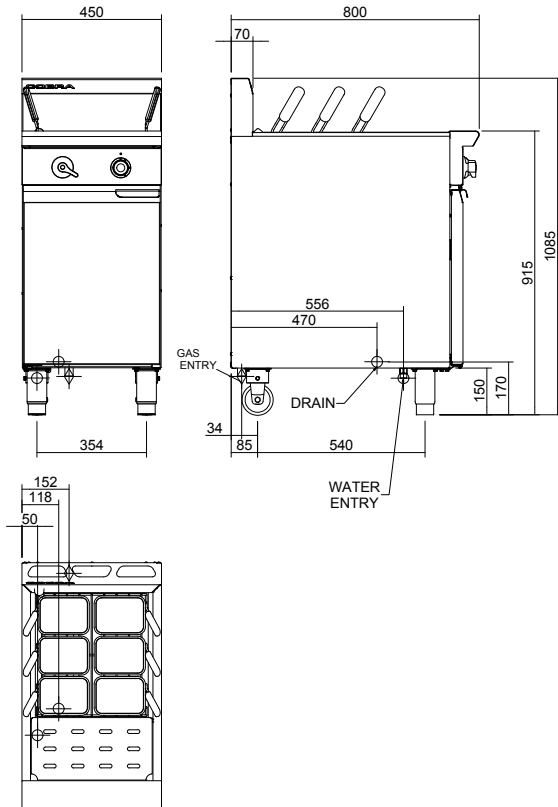
C6B



CR9D

CP4

450mm Single Pan Gas Pasta Cooker



CP4

SPECIFICATIONS

Pan size
 Water capacity 40L
 Width 365mm
 Length 405mm
 Basket immersion depth 165mm

Baskets
 6 stainless steel perforated baskets with moulded plastic handles
 125mm x 165mm x 180mm deep
 Stainless steel wire basket support grid

Burners
 1 x infra-red burner

Gas power (gross)
 47MJ/hr, 13kW Natural gas
 46MJ/hr, 12.8kW LP gas

Gas connection
 R 3/4 (BSP) male
 50mm from left hand side,
 34mm from rear and
 140mm from floor

Water connection
 Cold water connection 50mm
 from left hand side, 556mm
 from rear and 140mm from floor
 R1/2 (BSP) male

Drain connection
 Drain must be connected to
 system suitable for boiling
 water discharge 1" BSP Male
 connection 118mm from
 left hand side, 470mm from rear,
 and 170mm from floor

Dimensions
 Width 450mm
 Depth 800mm
 Height 915mm
 Incl. splashback 1085mm

Nett weight
 78kg

Packing data
 0.587m³, 95.5kg
 Width 900mm
 Depth 520mm
 Height 1255mm

Gas types
 Available in Natural gas and
 LP gas, please specify when
 ordering
 Other gas types on request

Options
 Side splash guards
 Joining caps



Cert. No. AGA 7027G

moffat.com.au
 moffat.co.nz

Australia
 moffat.com.au

Moffat Pty Limited

Victoria/Tasmania
 740 Springvale Road
 Mulgrave, Victoria 3170
 Telephone +613-9518 3888
 Facsimile +613-9518 3833
 vsales@moffat.com.au

New South Wales
 Telephone +612-8833 4111
 nswsales@moffat.com.au

South Australia
 Telephone +613-9518 3888
 vsales@moffat.com.au

Queensland
 Telephone +617-3630 8600
 qldsals@moffat.com.au

Western Australia
 Telephone +618-9413 2400
 wasales@moffat.com.au

New Zealand
 moffat.co.nz

Moffat Limited

Rolleston
 45 Illinois Drive
 Izone Business Hub
 Rolleston 7675
 Telephone +64 3-983 6600
 Facsimile +64 3-983 6660
 sales@moffat.co.nz

Auckland
 Telephone +64 9-574 3150
 sales@moffat.co.nz



ISO9001
 Quality
 Management
 Standard

Designed and manufactured by



ISO9001
 All Cobra products are designed and
 manufactured by Moffat using the
 internationally recognised ISO9001
 quality management system,
 covering design, manufacture and
 final inspection, ensuring consistent
 high quality at all times.

In line with policy to continually
 develop and improve its products,
 Moffat Limited reserves the right
 to change specifications and design
 without notice.

© Copyright Moffat Ltd
 AN.C.01.19 / 1598

an Ali Group Company



The Spirit of Excellence