

## C9C-B

### 900mm Four Burner/Griddle Gas Cooktop Bench Model



C9C-B

- Countertop Bench Model
- 900mm wide
- 4 open burners
- 300mm griddle plate
- 22MJ open burner rating
- Flame failure standard on open burners
- Optional pilot and flame failure on open burners
- Cast iron burners and vitreous enamel potstands
- 1 griddle burner with pilot, flame failure and piezo ignition
- Griddle plate machine finished 12mm thickness
- Adjustable bench feet
- Stainless steel finish

#### Also Available



C9A-B



C9B-B



C9D-B

#### OVERALL CONSTRUCTION

- Cast iron open burner heads with vitreous enamelled cast iron caps
- Vitreous enamelled potstands
- Vitreous enamelled control panel
- 12mm machined surface mild steel griddle plates
- Stainless steel front, sides and splashback
- Stainless steel spill tray
- Griddle section are standard on RH side only
- 63mm dia. stainless steel adjustable bench feet

#### CONTROLS

- Large easy use control knobs
- Variable high to low controls to open and griddle burners
- Flame failure standard on open burners
- Optional pilot and flame failure on open burners
- Griddles standard with pilot, flame failure and piezo ignition

#### CLEANING AND SERVICING

- Easy clean stainless steel exterior
- Vitreous enamelled potstands and burner caps
- Lift off open burner caps and removable burners
- Removable spill trays
- Stainless steel grease trays on griddle

#### Matching Products



CW2H



CSP6



CN4



CT9



CW3H



CW1H



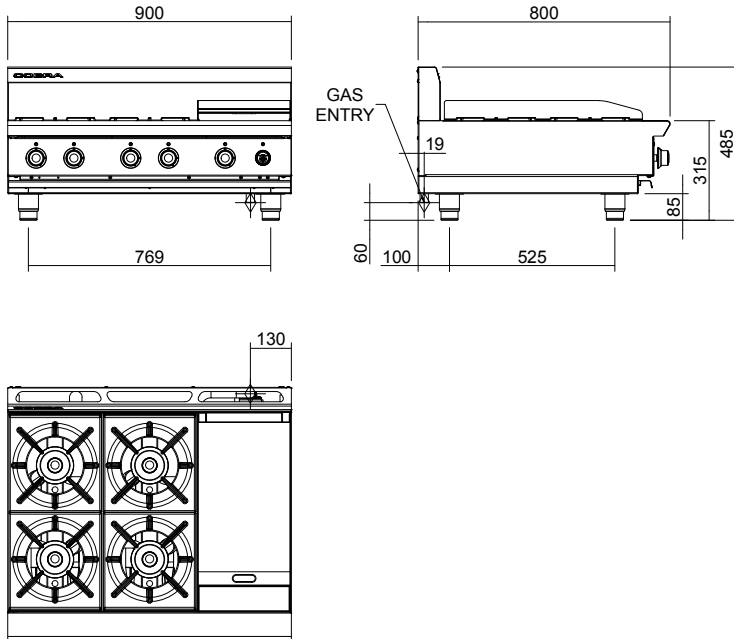
CP4



CS9 / C900-S

## C9C-B

### 900mm Four Burner/Griddle Gas Cooktop Bench Model



C9C-B

#### SPECIFICATIONS

**Burners**  
 Open Burners;  
 22MJ/hr, 5.5kW each  
 Griddle Burners;  
 20MJ/hr, 5.0kW per 300mm section

**Gas power (gross)**  
 C9C 108 MJ/hr, 30kW

**Gas connection**  
 R 3/4 (BSP) male  
 130mm from RH side, 20mm from rear, and 60mm from bench

**Dimensions**  
 Width 900mm  
 Depth 800mm  
 Height 315mm  
 Incl. splashback 485mm  
 Nett weight  
 67.5kg

**Packing data**  
 0.72m<sup>3</sup>, 104kg  
 Width 1010mm  
 Depth 955mm  
 Height 750mm

**Gas types**  
 Available in Natural gas and LP gas,  
 please specify when ordering  
 Other gas types on request

moffat.com.au  
 moffat.co.nz

Australia  
 moffat.com.au

Moffat Pty Limited

Victoria/Tasmania  
 740 Springvale Road  
 Mulgrave, Victoria 3170  
 Telephone +613-9518 3888  
 Facsimile +613-9518 3833  
 vsales@moffat.com.au

New South Wales  
 Telephone +612-8833 4111  
 nswsales@moffat.com.au

South Australia  
 Telephone +613-9518 3888  
 vsales@moffat.com.au

Queensland  
 Telephone +617-3630 8600  
 qldsales@moffat.com.au

Western Australia  
 Telephone +618-9413 2400  
 wasales@moffat.com.au

New Zealand  
 moffat.co.nz

Moffat Limited

Rolleston  
 45 Illinois Drive  
 Izone Business Hub  
 Rolleston 7675  
 Telephone +64 3-983 6600  
 Facsimile +64 3-983 6660  
 sales@moffat.co.nz

Auckland  
 Telephone +64 9-574 3150  
 sales@moffat.co.nz



Designed and manufactured by



ISO9001  
 All Cobra products are designed and manufactured by Moffat using the internationally recognised ISO9001 quality management system, covering design, manufacture and final inspection, ensuring consistent high quality at all times.

In line with policy to continually develop and improve its products, Moffat Limited reserves the right to change specifications and design without notice.

© Copyright Moffat Ltd  
 AN.C.01.19 / 1598



Cert. No. AGA 7225G

an Ali Group Company



The Spirit of Excellence