

C3D-B

305mm Two Burner Gas Cooktop Bench Model



C3D-B

- Countertop Bench Model
- 305mm wide
- 2 open burners
- 22MJ open burner rating
- Flame failure standard on open burners
- Optional pilot and flame failure on open burners
- Cast iron burners and vitreous enamel potstands
- Adjustable bench feet
- Stainless steel finish

Also Available



C3C-B

OVERALL CONSTRUCTION

- Stainless steel front, sides and splashback
- Vitreous enamelled control panel
- Stainless steel spill tray
- 63mm dia. stainless steel adjustable bench feet

CONTROLS

- Large easy use control knobs
- Variable high to low controls to open burners
- Flame failure standard on open burners
- Optional pilot and flame failure on open burners

CLEANING AND SERVICING

- Easy clean stainless steel exterior
- Vitreous enamelled potstands and burner caps
- Lift off open burner caps and removable burners
- Removable spill tray
- Access to all parts from front of unit

Matching Products



CW2H



CSP6



CN4



CT9



CW3H



CW1H



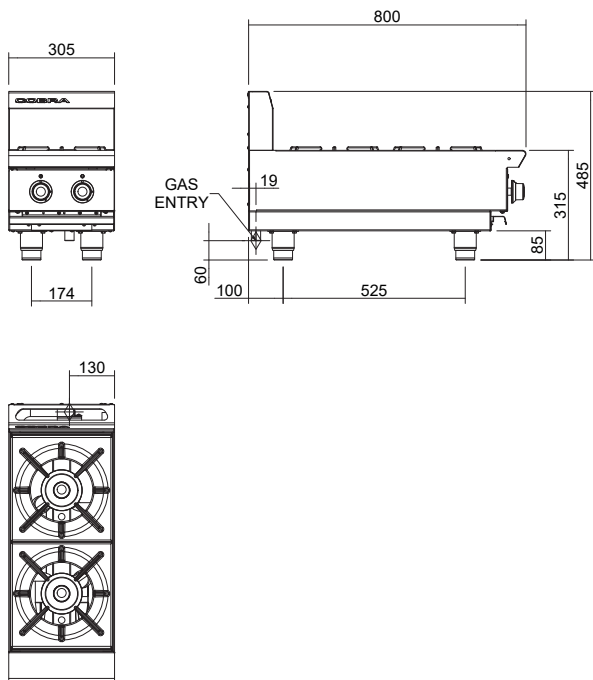
CP4



CS9 / C900-S

C3D-B

305mm Two Burner Gas Cooktop Bench Model



C3D-B

SPECIFICATIONS

Burners
 Open Burners;
 22MJ/hr, 5.5kW each

Gas power (gross)
 C3D 44MJ/hr, 11kW

Gas connection
 R 3/4 (BSP) male
 130mm from RH side, 19mm from rear, and 60mm from bench

Dimensions
 Width 305mm
 Depth 800mm
 Height 315mm
 Incl. splashback 485mm

Nett weight
 32kg

Packing data
 0.20m³, 55kg
 Width 345mm
 Depth 860mm
 Height 665mm

Gas types
 Available in Natural gas and LP gas,
 please specify when ordering
 Other gas types on request

moffat.com.au
 moffat.co.nz

Australia
 moffat.com.au

Moffat Pty Limited

Victoria/Tasmania
 740 Springvale Road
 Mulgrave, Victoria 3170
 Telephone +613-9518 3888
 Facsimile +613-9518 3833
 vsales@moffat.com.au

New South Wales
 Telephone +612-8833 4111
 nswsales@moffat.com.au

South Australia
 Telephone +613-9518 3888
 vsales@moffat.com.au

Queensland
 Telephone +617-3630 8600
 qldsales@moffat.com.au

Western Australia
 Telephone +618-9413 2400
 wasales@moffat.com.au

New Zealand

moffat.co.nz

Moffat Limited

Rolleston
 45 Illinois Drive
 Izone Business Hub
 Rolleston 7675
 Telephone +64 3-983 6600
 Facsimile +64 3-983 6660
 sales@moffat.co.nz

Auckland
 Telephone +64 9-574 3150
 sales@moffat.co.nz



Designed and manufactured by



ISO9001
 All Cobra products are designed and manufactured by Moffat using the internationally recognised ISO9001 quality management system, covering design, manufacture and final inspection, ensuring consistent high quality at all times.

In line with policy to continually develop and improve its products, Moffat Limited reserves the right to change specifications and design without notice.

© Copyright Moffat Ltd
 AN.C.S.01.20



Cert. No. AGA 7225G

an Ali Group Company



The Spirit of Excellence