

## FEATURES

- Safety cut-switch temporarily interrupts power if gears are changed without stopping the mixer
- Comes standard with: stainless steel dough hook, wire whisk, flat beater, stainless steel mixing bowl, and safety guard
- Three speed gear driven
- Interlocked bowl lift and bowl guard opening
- 6 ft. (1.8 m) cord with plug

PPMA-10



PPMA-20



PPMA-30



### Standard Accessories

- Stainless steel bowl
- Stainless steel flat beater
- Stainless steel wire whip
- Stainless steel spiral dough hook
- Non-slip rubber feet



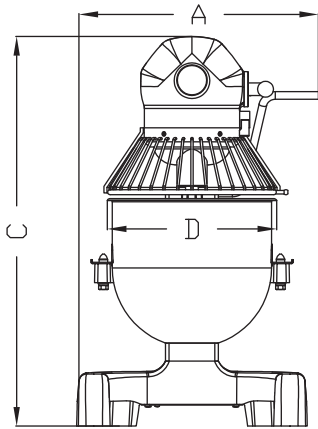
INFORMATION	PPMA-10	PPMA-20	PPMA-30
Motor(HP/W)	1/750	1.5/1100	2/1500
Electric	220V~240V,50Hz	220V~240V,50Hz	220V~240V,50Hz
Capacity Liter	10L	20L	30L
Overall Dimension(cm) A/B/C/D	50/48/71/25	63/59/89/38	71/67/127/41
Agitator Speed (I/II/III)RPMs	108/195/355	106/180/367	91/166/282
NW/GW (kg)	36/41	114/120	180/190



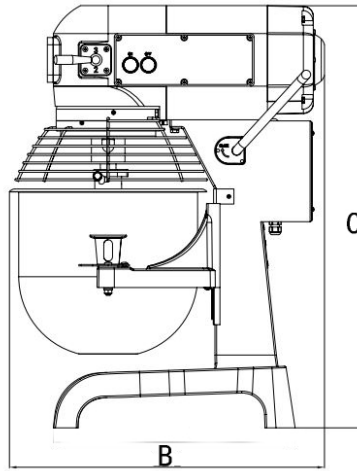
2 YEARS WARRANTY ON ALL PARTS & LABOUR  
\* EXTRA 2 YEARS WARRANTY ON PARTS WHEN YOU REGISTER WITH US ONLINE

# HEAVY DUTY PLANETARY MIXER

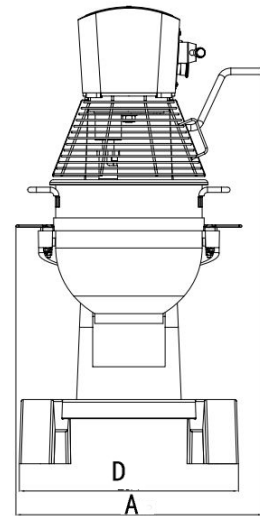
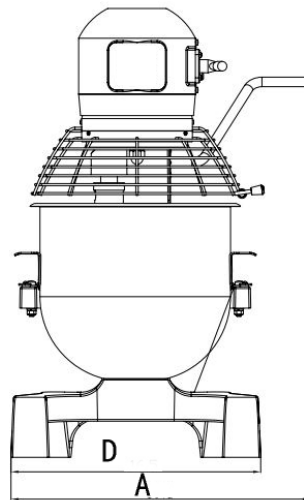
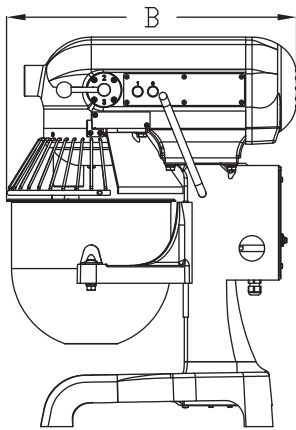
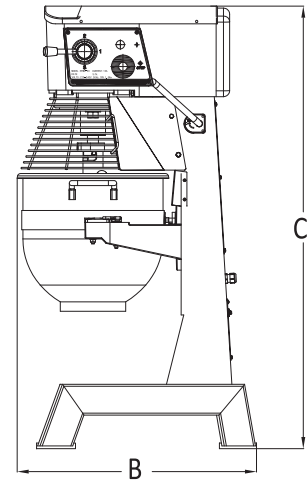
PPMA-10



PPMA-20



PPMA-30



+



2 YEARS WARRANTY ON ALL PARTS & LABOUR  
\* EXTRA 2 YEARS WARRANTY ON PARTS WHEN YOU REGISTER WITH US ONLINE